

## DICTATOR Door Closer VS 2000 top-of-the-line model with adjustable hydraulics

DICTATOR hydraulic door closer have a progressive braking action. They damp and slow down the door very gently and smoothly, pull the door into the latch firmly and keep the door closed reliably.

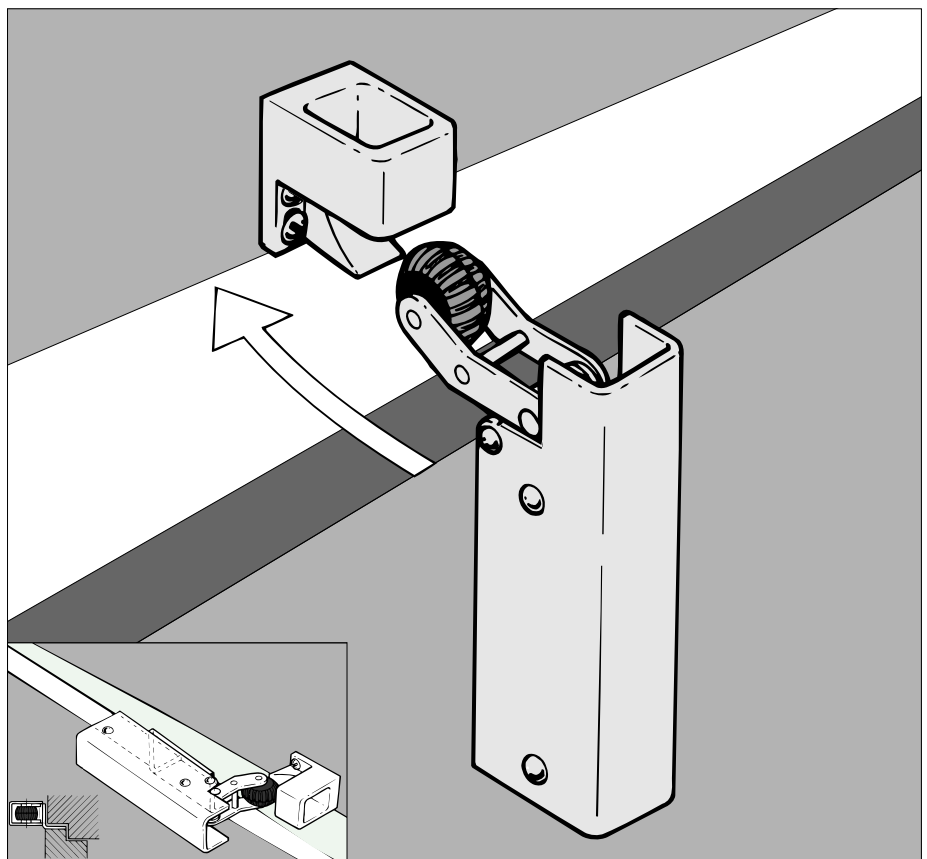
The top-of-the-line DICTATOR hydraulic door closer is the VS 2000. It is suitable for heavier applications and is available with a variety of spring strengths.

Due to its patent fixing system with an integral hinged mounting plate the VS 2000 is very easy to install. Fixings for the hook and body are all concealed, both slim body and hook representing a smooth homogeneous unit.

The door damper VS 2000 is mounted on the face of the door and is suitable both for right- and left-hand doors.

The door damper is mounted vertically in about the middle of the upper edge of the door or horizontally using the special mounting plate (see accessories).

Swinging Door Closing Dampers VS 2000 are classified as Miscellaneous Fire Door Accessories and production continuously monitored by Underwriters Laboratories, Inc. (File No. R20417).



### Technical data

Door types	left- and right-hand doors, overlapping and flush doors
Closing force	5 to 25 lbs (measured on the door damper)
Damping characteristics	progressive, adjustable closing characteristics
Damping medium	temperature independant silicone oil
Mounting possibilities	horizontally or vertically
Components of delivery	door damper, hook, 3 small plates for the hook, screws
Finish	polished chrome, other finishes available on demand
Accessories	Closing spring (Adjunkt or Piccolo)



## Mounting

The DICTATOR hydraulic door closer VS 2000 is mounted vertically in about the middle of the upper edge of the door.

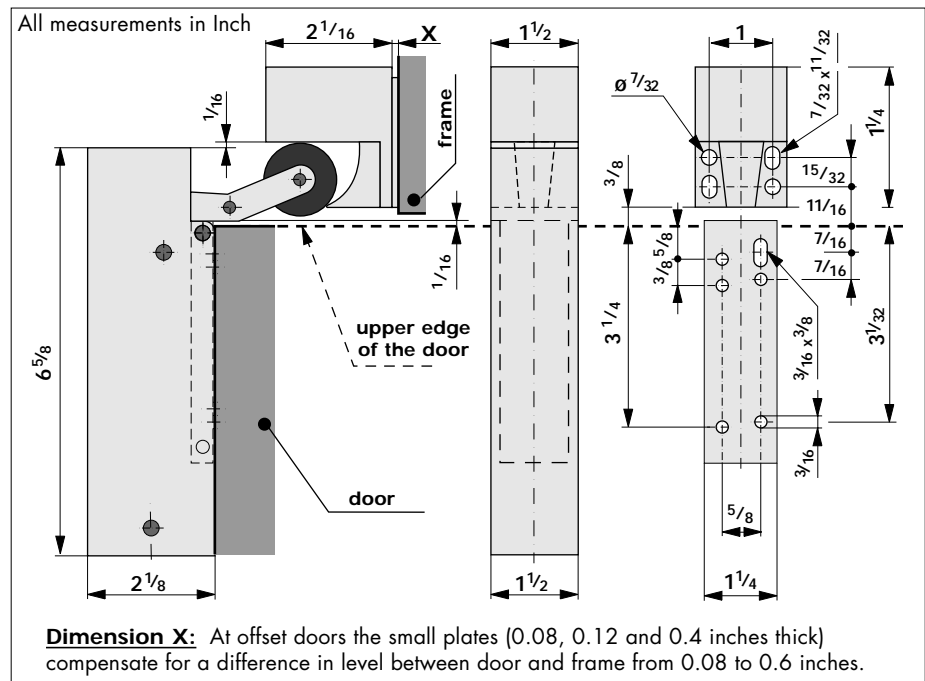
Fold out the mounting plate of the casing, hold it vertically to the door (in about the middle of the door) and screw the plate to the door (at first only with the oblong hole) so that the upper edge of the mounting plate overlaps the upper edge of the door by about 2 mm.

Having made sure that the mounting plate is placed accurately in a vertical position, fix it with all 4 screws. The body is then hinged down and clipped into position.

Close now the door and mark the outline of the body on the door frame, in order to determine the exact lateral position of the hook. The hook is mounted in the correct height, when the rubber roller of the lever only just touches the front edge of the hook when closing.

Important: in case of overlapping doors the small plates must be used to compensate for the difference in height between body and hook.

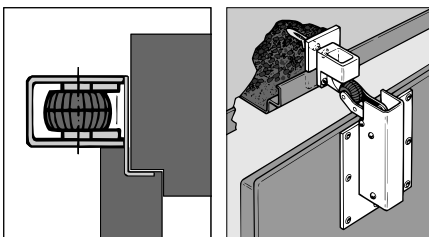
## Dimensions



## Order information

DICTATOR door closer VS 2000 (chrome) normal spring	part no. 300 500
DICTATOR door closer VS 2000 (chrome) strong spring	part no. 300 550
DICTATOR door closer VS 2000 (chrome) extra strong spring	part no. 300 560
DICTATOR door closer VS 2000 (other finishes)	please call

## Accessories



Bracket for horizontal mounting on flush doors	part no. 205 221
Bracket for horizontal mounting on overlapping doors	part no. 205 220
Mounting plate for steel doors (to be riveted to door)	part no. 205 212
Mounting plate for narrow steel frames (can be welded)	part no. 205 232
Mounting plate for the horizontal mounting of the hook	part no. 205 256

Please find details for the installation with the different mounting plates and their drawings further on in this catalogue. In case of very difficult installations please contact us.