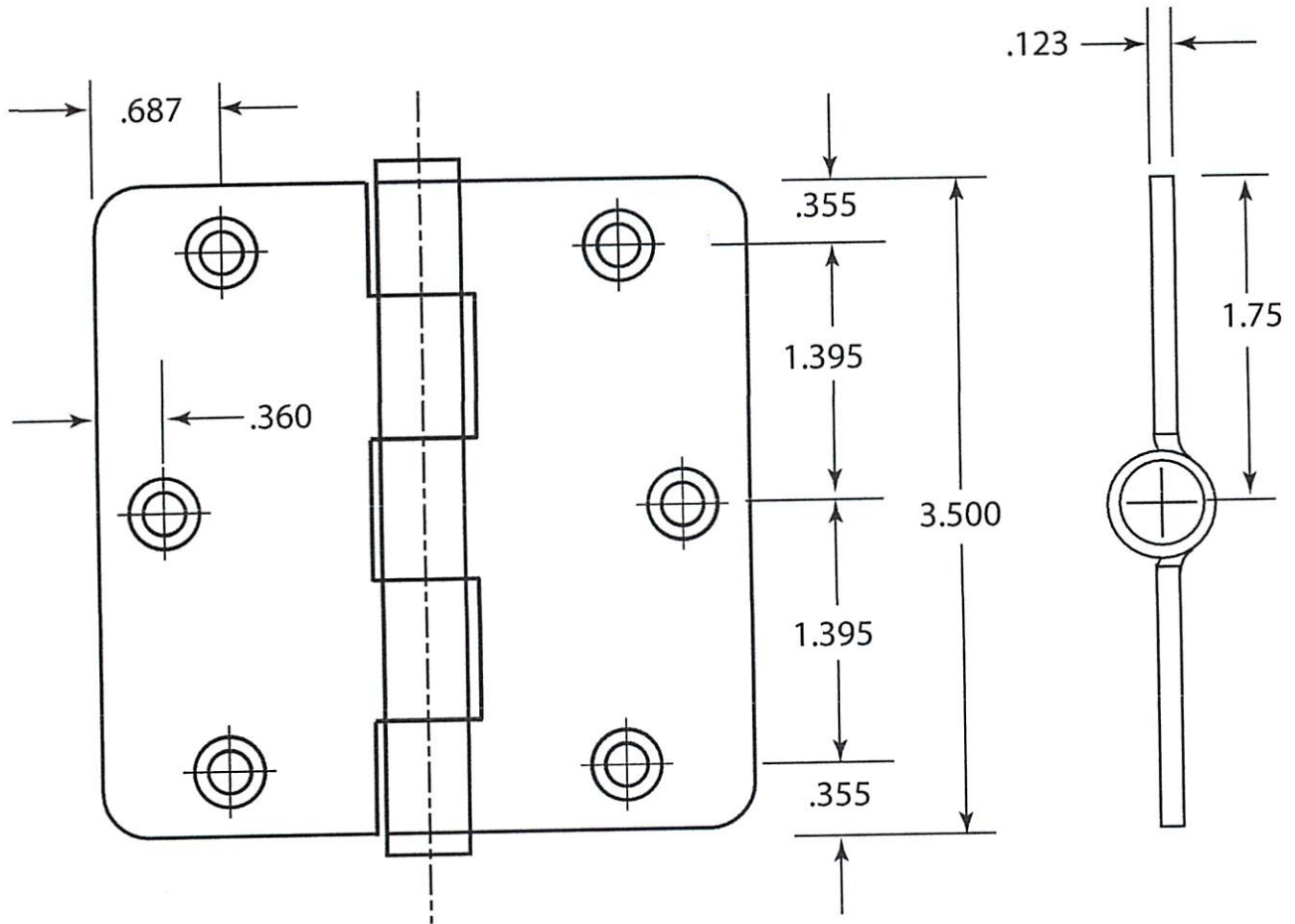


STANDARD WEIGHT HINGE  
FULL MORTISE TEMPLATE  
3-1/2" X 3-1/2"



**TBHRC-66**  
**1/4" CORNER RADIUS**