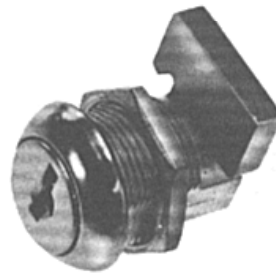
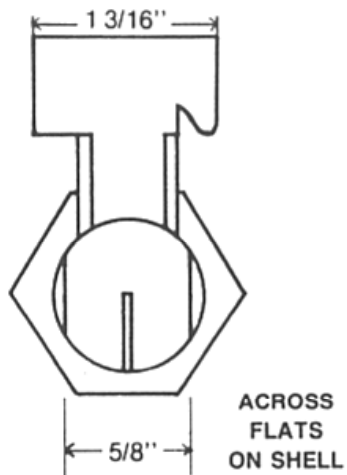
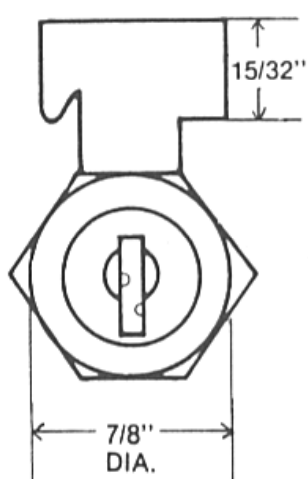


Metal Drawer Locks—No. T585

Available keyed alike, keyed different, and masterkeyed; the T585 can be ordered with the same key changes as ESP Camlocks and Wood Desk locks. Packaged 12 locks per carton. Uses ES-8 Keyway, 2 keys per lock.

OPERATION: Key turns 180° clockwise moving T-bolt upwards. Key removable in both positions.



Order On-line
<http://www.mrlock.com>

