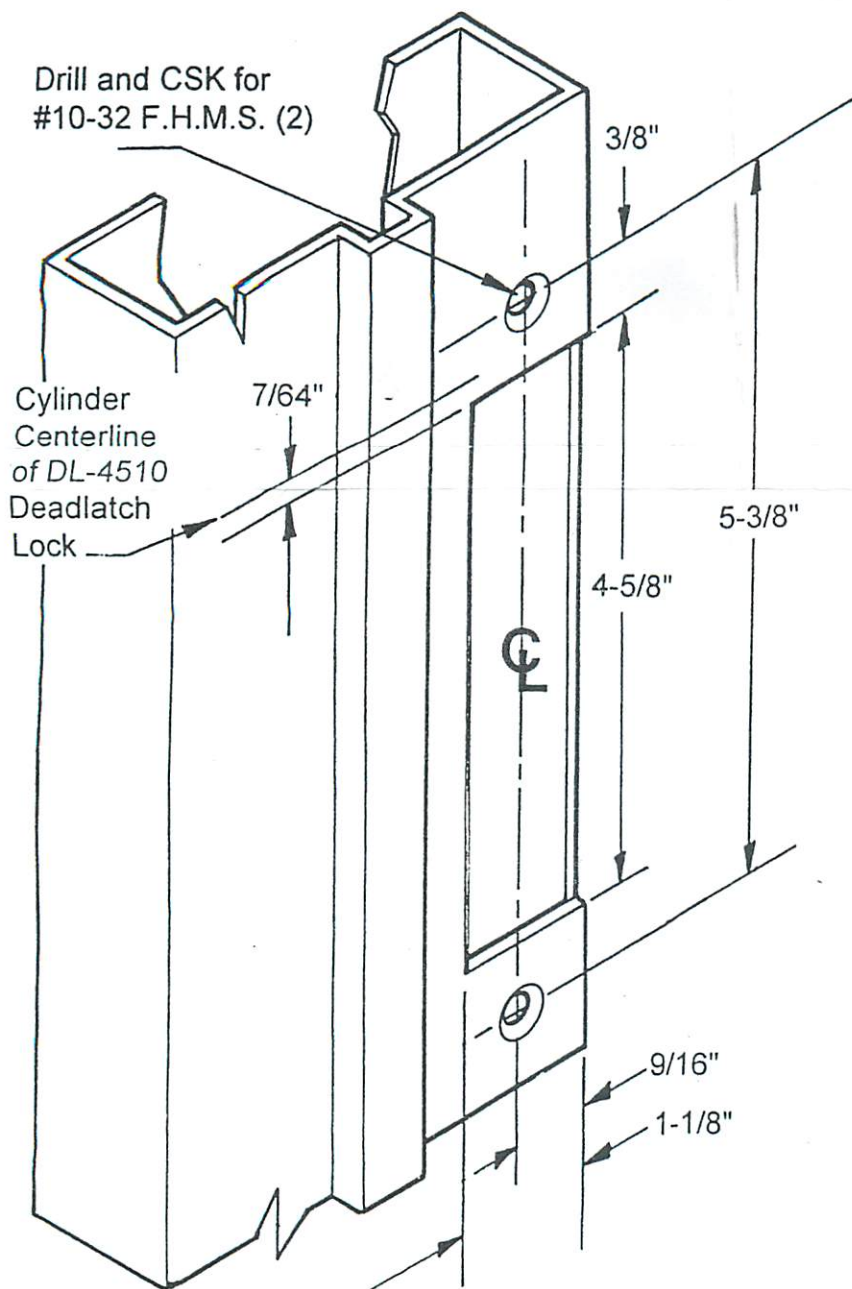


SC-4520 Strike Set

INSTALLATION INSTRUCTIONS

For use when replacing a DT-1850 or DH-1820 Type Lock with a DL-4510 Type Deadlatch Lock in an offset Door and Frame

JAMB PREPARATION

1. Rout out Jamb as shown
2. Drill and Countersink holes in Jamb where shown
3. Install Back-up Plate using (2) #10-32 x 1/2" Flat Head Machine Screws
4. Install Dust Box and Strike using (2) #10-32 x 1/2" Flat Head Machine Screws