



**ALARM LOCK**

345 Bayview Avenue

Amityville, New York 11701

For Sales and Repairs 1-800-ALA-LOCK

For Technical Service 1-800-645-9440

Publicly traded on NASDAQ Symbol: NSSC

© ALARM LOCK 2006

# PP100 Series Battery Eliminator

## INSTALLATION INSTRUCTIONS

WI1576 9/06

### DESCRIPTION

The PP100 is a battery eliminator that can be used with a variety of Alarm Lock door alarms or any other device that requires an unregulated power supply of between 6 and 9 volts. The PP100 is designed to replace all power normally supplied by the device's internal batteries, thus allowing these internal batteries to be used exclusively for battery backup if AC is lost. The PP100 can be used with the following Alarm Lock models:

- 250 Series
- 700 Series
- 11A Series
- PG10 Series
- LL-1 Series
- PG21 Series
- PG30 Series
- DL Series of Digital Locks

### SPECIFICATIONS

**Input Voltage:** 105-125VAC @ 60Hz

**Input Power:** 10VA maximum

**Output:** 6-9VDC @ 0-300mA unregulated. 9 volt adapter harness supplied.

**Switchover to battery:** Automatic upon AC input failure

**Shipping Weight:** 3 lb., 9 oz.

**Dimensions:** (LxWxD) 6" x 4 <sup>5</sup>/<sub>8</sub>" x 2 <sup>3</sup>/<sub>4</sub>" (15.2cm x 11.7cm x 7cm)

**Armored Cable Length:** 6' (1.8m)

### INSTALLATION

1. Install the device to be powered and test with its own internal battery power, making sure the alarm sounds properly, then reset and disconnect battery.
2. Select a suitable location for the PP100 and mount using 3 #10 x <sup>3</sup>/<sub>4</sub>" self-tapping screws and 3 flat washers (supplied). Do not connect power at this time.
3. As per the instructions on the next page, cut a cable notch "slot" and/or hole in the alarm box or lock cover. Insert the PP100 armored cable end into the hole. For surface mounted applications, secure the armored cable with the retaining "C" ring (provided).
4. Plug the battery and load connectors from PP100 cable into mating connectors. Refer to Figures 2 and 3 on next page. **For 250, 700 11A, LL-1, PG10:** No adapter is required. **For PG21 and PG30:** Use 9V adapter. **For DL locks:** Cut off all connectors at the end of the armored cable, thus leaving only two wires (red and black) to be connected to the DL lock's terminal strip (see Figure 7). Batteries must remain connected as a backup in case of AC failure.
5. For surface mounted applications, secure armored cable using cable clamps and #6 self-tapping screws (provided). If installing on the hinge side of a door as shown in Figure 1, be sure to leave a loop near the hinges for flexing when door is opened and closed.
6. Insert power plug of the PP100 into a 115 VAC source. An optional knockout is provided at power cord exit for

connection of <sup>1</sup>/<sub>2</sub>" BX or conduit if so desired.

7. Connect all plugs (and 9-volt batteries if used) as shown in Figures 2 and 3 on next page.

### TESTING

Check for proper operation under each of the following conditions noting that the alarm sounds and/or the DL lock functions properly.

- a. PP100 connected to device, battery not connected, PP100 plugged into 115 VAC source.
- b. PP100 connected to device, battery connected, PP100 NOT plugged into 115 VAC source (pilot lamp off).
- c. PP100 connected to device, battery connected, PP100 plugged into 115 VAC source.

### Periodic Testing - IMPORTANT

The powered device should be tested at least once every month to ensure that no one has tampered with the unit and also to ensure that the backup battery is still functional. Backup batteries should be replaced every 5-6 years.

This test must be performed with the 115 VAC input to the PP100 disconnected.

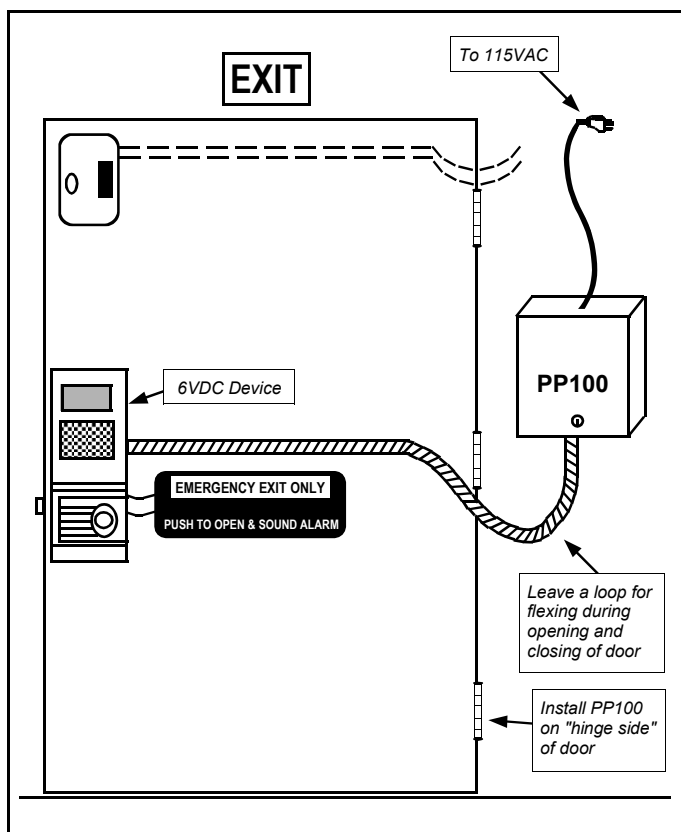


Figure 1: Typical "Surface Mounted" Application

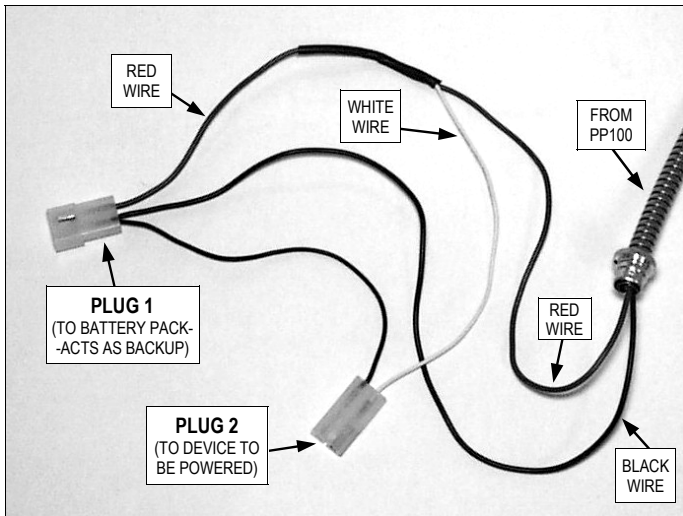


Figure 2: Hook Up

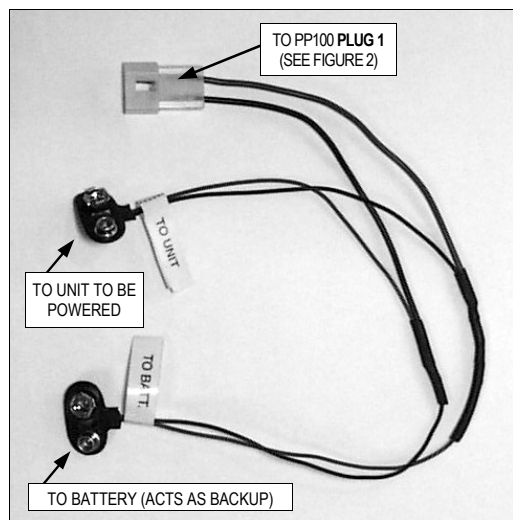


Figure 3: Adapter for 9V Units

## INSTRUCTIONS TO ADD CABLE NOTCH

For devices that allow power to be accessed from behind the device (with the power cable accessed from inside a wall or other location), a  $\frac{3}{4}$ " hole can be drilled directly into the rear chassis of the device.

For surface mounted devices where the PP100 and its armored power cable are mounted to a surface (such as a wall or a rear door surface as shown in Figure 1), a  $\frac{1}{2}$ " hole and cable notch "slot" must be cut into the side of each device's alarm box or lock cover (see Figures 4-7).

In either case, the hole and/or cable notch must be large enough to allow the insertion of Plug #2 (see Figure 2). For surface mounted devices, the cable notch must secure the armored cable and its retaining "C" ring (supplied).

1. Drill a  $\frac{1}{2}$ " hole along the edge of the cover or box and make a  $\frac{1}{8}$ " wide slot from the hole to the edge. See Figures 4-7.
2. Insert cable bushing through hole and secure with "C" ring inside.
3. Plug connectors together as per the instructions on the previous page.

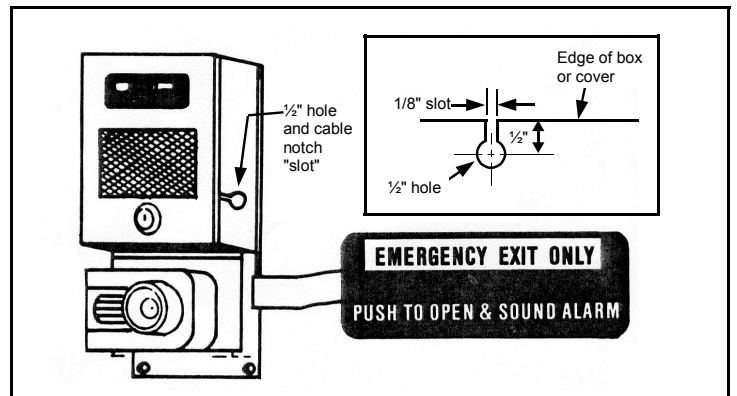


Figure 4: Cable Notch location for 11A Series

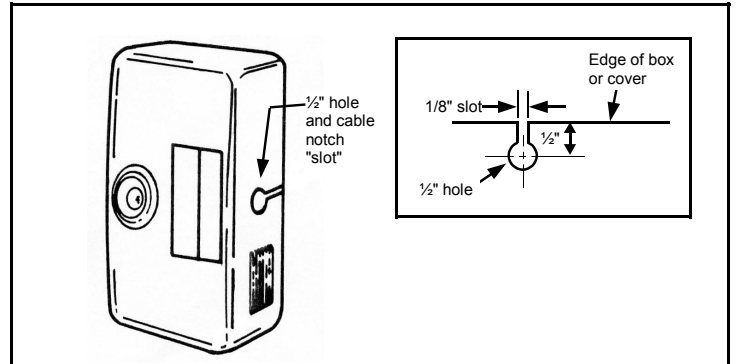


Figure 5: Cable Notch location for PG10 and LL-1 Series (PG21 similar)

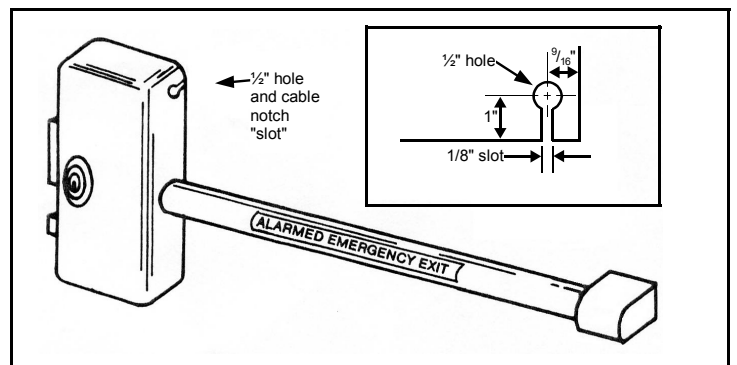


Figure 6: Cable Notch location for 700 Series

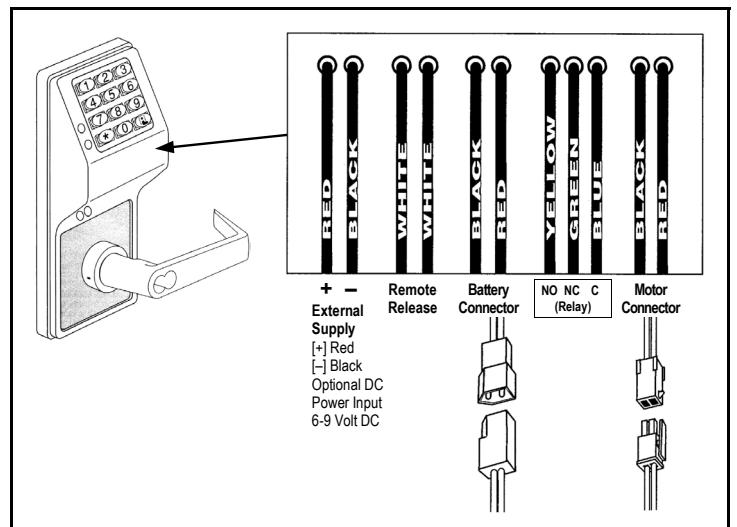


Figure 7: Terminal Strip inside DL Series of Locks

This page intentionally left blank.

## ALARM LOCK LIMITED WARRANTY

ALARM LOCK SECURITY SYSTEMS, INC. (ALARM LOCK) warrants its products to be free from manufacturing defects in materials and workmanship for 24 months following the date of manufacture. ALARM LOCK will, within said period, at its option, repair or replace any product failing to operate correctly without charge to the original purchaser or user.

This warranty shall not apply to any equipment, or any part thereof, which has been repaired by others, improperly installed, improperly used, abused, altered, damaged, subjected to acts of God, or on which any serial numbers have been altered, defaced or removed. Seller will not be responsible for any dismantling or reinstallation charges.

THERE ARE NO WARRANTIES, EXPRESS OR IMPLIED, WHICH EXTEND BEYOND THE DESCRIPTION ON THE FACE HEREOF. THERE IS NO EXPRESS OR IMPLIED WARRANTY OF MERCHANTABILITY OR A WARRANTY OF FITNESS FOR A PARTICULAR PURPOSE. ADDITIONALLY, THIS WARRANTY IS IN LIEU OF ALL OTHER OBLIGATIONS OR LIABILITIES ON THE PART OF ALARM LOCK.

Any action for breach of warranty, including but not limited to any implied warranty of merchantability, must be brought within the six months following the end of the warranty period.

IN NO CASE SHALL ALARM LOCK BE LIABLE TO ANYONE FOR ANY CONSEQUENTIAL OR INCIDENTAL DAMAGES FOR BREACH OF THIS OR ANY OTHER WARRANTY, EXPRESS OR IMPLIED, EVEN IF THE LOSS OR DAMAGE IS CAUSED BY THE SELLER'S OWN NEGLIGENCE OR FAULT.

In case of defect, contact the security professional who installed and maintains your security system. In order to exercise the warranty, the product must be returned by the security professional, shipping costs prepaid and insured to ALARM LOCK. After repair or replacement, ALARM LOCK assumes the cost of returning products under warranty. ALARM LOCK shall have no obligation under this warranty, or otherwise, if the product has been repaired by others, improperly installed, improperly used, abused, altered, damaged, subjected to accident, nuisance, flood, fire or acts of God, or on which any serial numbers have been altered, defaced or removed. ALARM LOCK will not be responsible for any dismantling, reassembly or reinstallation charges.

This warranty contains the entire warranty. It is the sole warranty and any prior agreements or representations, whether oral or written, are either merged herein or are expressly canceled. ALARM LOCK neither assumes, nor authorizes any other person purporting to act on its behalf to modify, to change, or to assume for it, any other warranty or liability concerning its products.

In no event shall ALARM LOCK be liable for an amount in excess of ALARM LOCK's original selling price of the product, for any loss or damage, whether direct, indirect, incidental, consequential, or otherwise arising out of any failure of the product. Seller's warranty, as hereinabove set forth, shall not be enlarged, diminished or affected by and no obligation or liability shall arise or grow out of Seller's rendering of technical advice or service in connection with Buyer's order of the goods furnished hereunder.

ALARM LOCK RECOMMENDS THAT THE ENTIRE SYSTEM BE COMPLETELY TESTED WEEKLY.

Warning: Despite frequent testing, and due to, but not limited to, any or all of the following; criminal tampering, electrical or communications disruption, it is possible for the system to fail to perform as expected. ALARM LOCK does not represent that the product/system may not be compromised or circumvented; or that the product or system will prevent any personal injury or property loss by burglary, robbery, fire or otherwise; nor that the product or system will in all cases provide adequate warning or protection. A properly installed and maintained alarm may only reduce risk of burglary, robbery, fire or otherwise but it is not insurance or a guarantee that these events will not occur. CONSEQUENTLY, SELLER SHALL HAVE NO LIABILITY FOR ANY PERSONAL INJURY, PROPERTY DAMAGE, OR OTHER LOSS BASED ON A CLAIM THE PRODUCT FAILED TO GIVE WARNING. Therefore, the installer should in turn advise the consumer to take any and all precautions for his or her safety including, but not limited to, fleeing the premises and calling police or fire department, in order to mitigate the possibilities of harm and/or damage.

ALARM LOCK is not an insurer of either the property or safety of the user's family or employees, and limits its liability for any loss or damage including incidental or consequential damages to ALARM LOCK's original selling price of the product regardless of the cause of such loss or damage.

Some states do not allow limitations on how long an implied warranty lasts or do not allow the exclusion or limitation of incidental or consequential damages, or differentiate in their treatment of limitations of liability for ordinary or gross negligence, so the above limitations or exclusions may not apply to you. This Warranty gives you specific legal rights and you may also have other rights which vary from state to state.