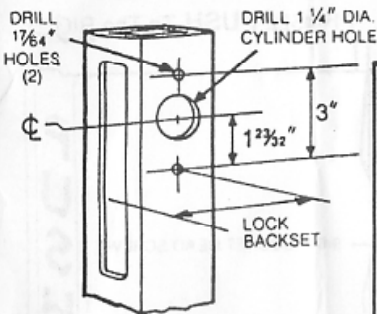


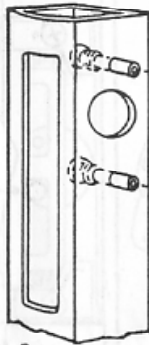
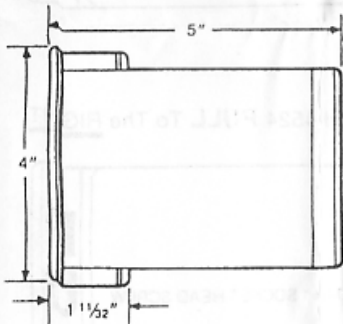
PH-4520 Latch Paddle Handle - For Use With DL-4510 Deadlatch Lock

INSTALLATION INSTRUCTIONS

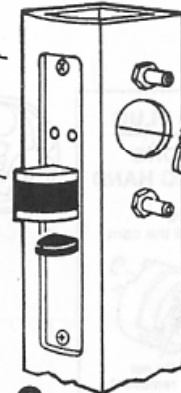
FOR 1-3/4" DOOR



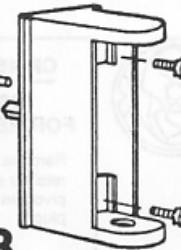
PREPARE DOOR STILE



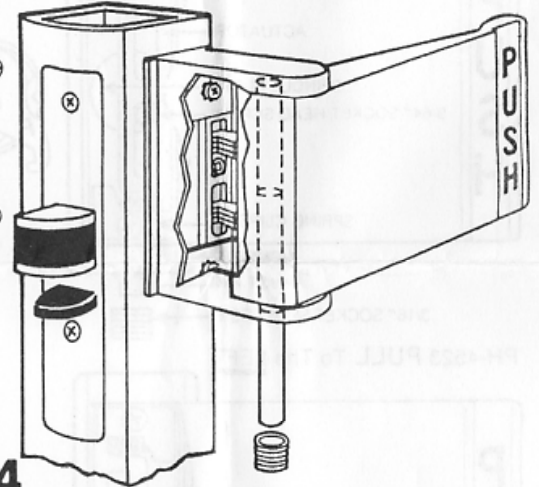
1 Install (2) binder posts from inside of door stile as shown. Secure with (2) 1/4-28 nuts.



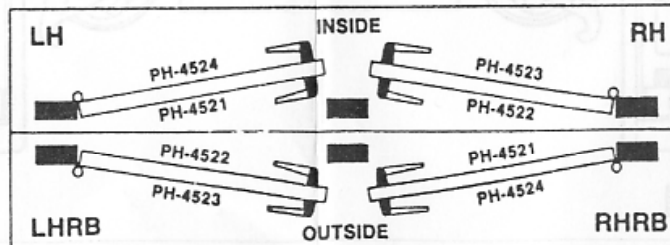
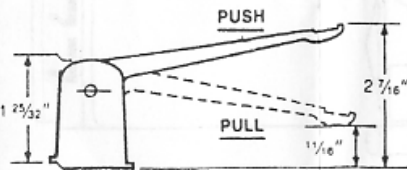
2 Install Deadlatch Lock. Depress Latch Bolt with thumb and Install Cam Plug in Lock. Secure Cam Plug in Lock with Cylinder Set Screw. Cam on Cam Plug is handed and can be reversed. (See instructions for Reversing Hand on back).



3 Position Housing and insert spindle into Cam Plug. Secure Housing to stile with (2) #8-32 Pan Head Phillips Machine Screws.



4 Place Paddle Handle Lugs in Actuator of Housing and seat Handle in Housing. Insert Pivot Pin thru Housing and Handle and secure with 3/16" socket set screw (Screw in Flush to Housing). Place PUSH or PULL Plate in Handle Channel as required.



- PH-4521 PUSH To The LEFT
- PH-4522 PUSH To The RIGHT
- PH-4523 PULL To The LEFT
- PH-4524 PULL To The RIGHT