

OP-4000 Offset Pivot Set – For Aluminum Door & Frame

INSTALLATION INSTRUCTIONS

OP-4000:
FLUSH DOOR

OP-4001 LEFT HAND
OP-4002 RIGHT HAND

For entrances with threshold only.

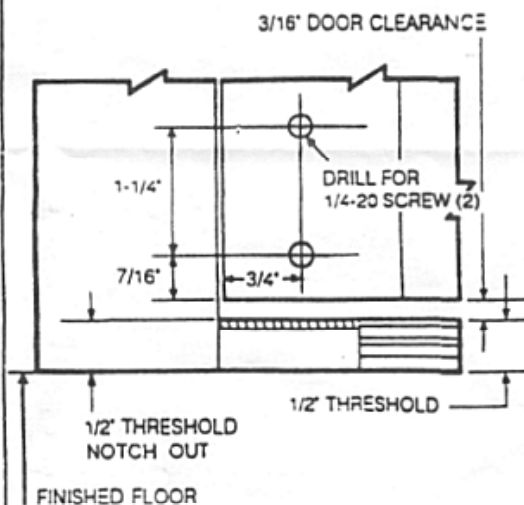
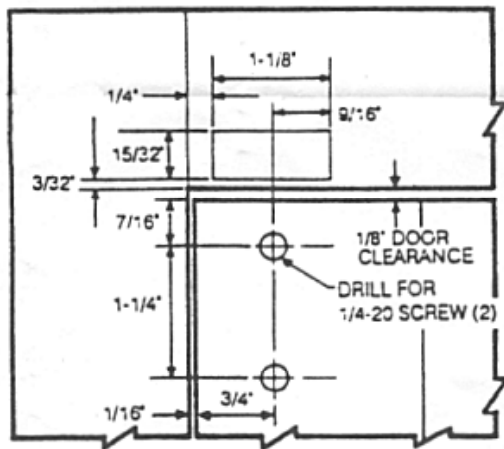
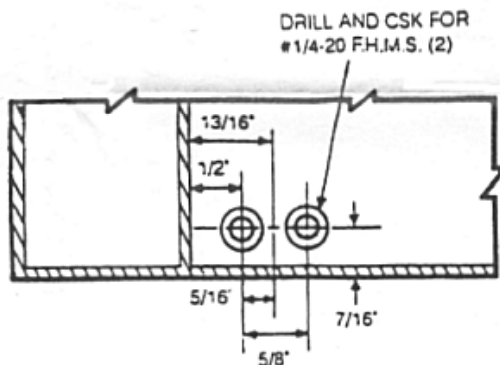
1. Drill or drill and countersink holes in door, frame and threshold as shown.
2. Rout out header and bottom of jamb and notch threshold as shown.
3. Install frame portion using (2) 1/4-20 X 1/2" flat head machine screws.
4. Install top and bottom door portions, securing each with (2) 1/4-20 X 1/2" hex head cap screws with washers.
5. Install floor portion using (2) #12-24 X 1/2" flat head machine screws. After installing threshold in normal manner, secure threshold to floor portion using (2) #12-24 X 1/2" flat head machine screws.
6. To install door, place bottom door portion on stud of floor portion at a slight angle, depress pin in the top door portion and tilt door into opening until pin engages in frame portion.
7. Adjust door for proper clearance by turning adjustable pivot stud (loosen set screw before adjusting and retighten after.)

NOTE: Right hand door shown,
Left hand opposite.

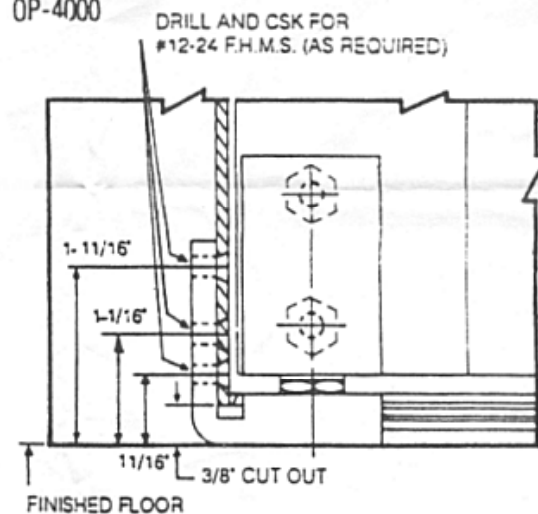
Order Online
<http://www.MrLock.com>

NOT TO SCALE
USE DIMENSIONS

HEADER & DOOR PREPARATION
OP-4000



JAMB PREPARATION
OP-4000



JAMB & THRESHOLD PREPARATION
OP-4000 : FLUSH DOOR

