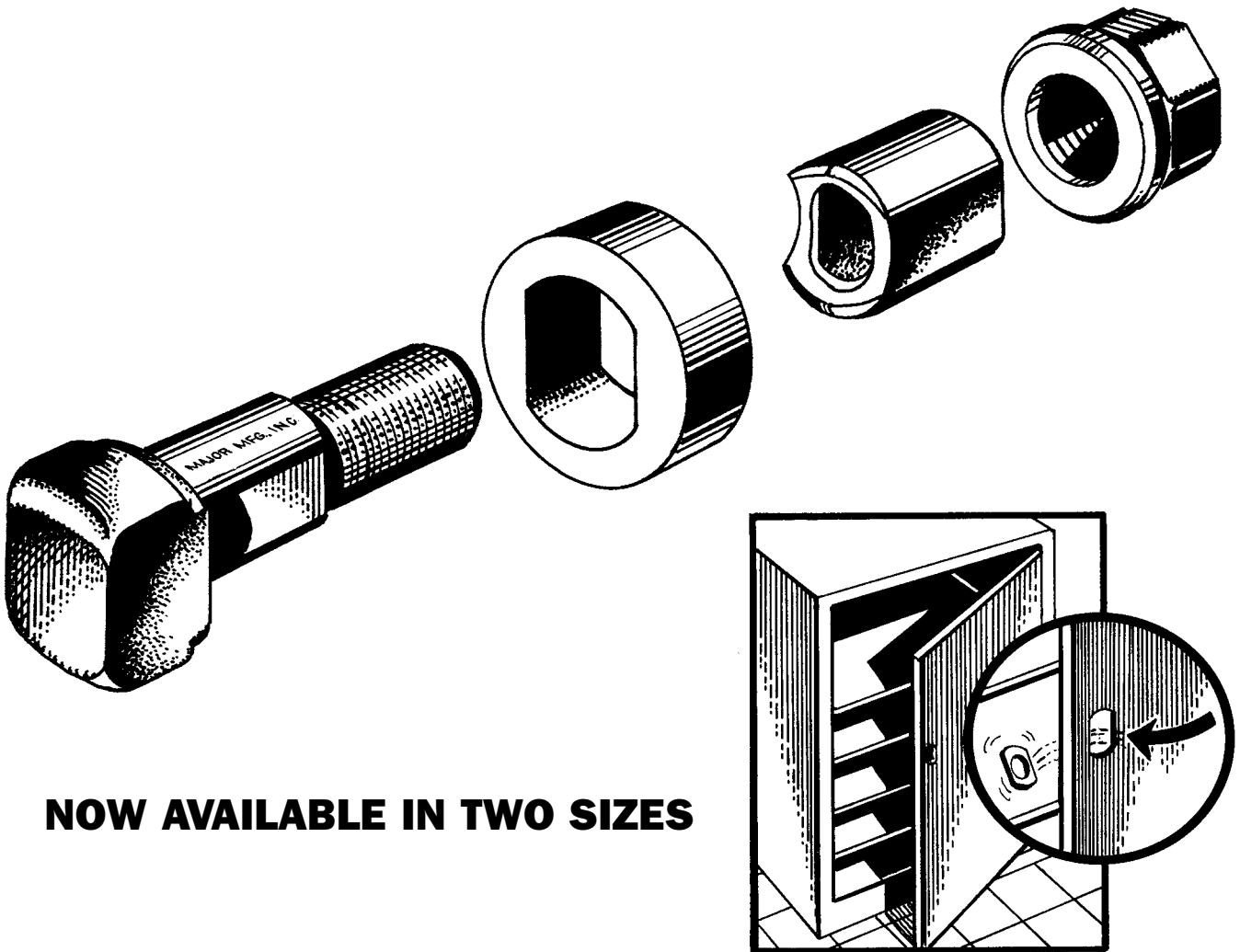


# MDPS-4 & MDPS-6 PUNCH & DIE SET



**NOW AVAILABLE IN TWO SIZES**

Major Manufacturing's punch and die set will punch a **DOUBLE "D"** hole in sheet metal cabinet drawers and doors. A must have tool for the locksmith working on vending machines, lockers, metal cabinets or any type of sheet metal door made with 18 guage (.048) or lighter steel. To use, simply drill a 1/2" hole centered where the cam lock is to be installed, slide the punch through the hole and tighten down the hex nut with a 11/16" wrench or socket set.

MDPS-4 punches a **DOUBLE "D"** hole size .645 wide by .770 high. For use with standard cam locks.

MDPS-6 punches a **DOUBLE "D"** hole size .715 wide by .875 high. For use with larger ASSA pin tumbler cam locks.