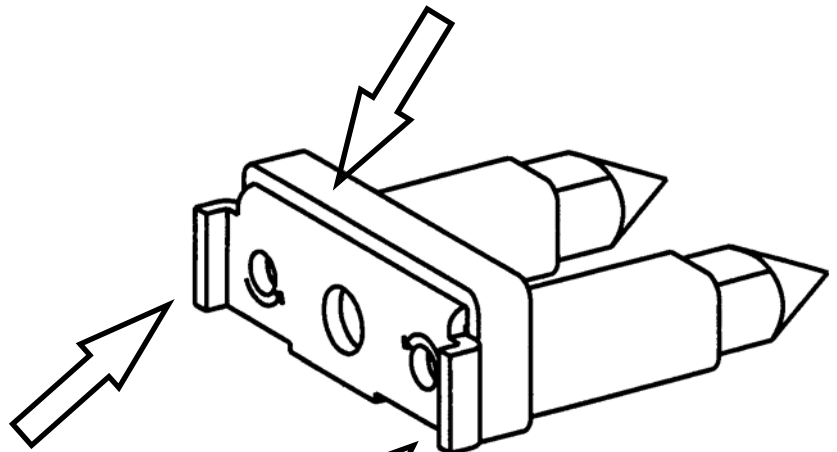


**INSTRUCTIONS FOR USE WITH  
LMB-089  
INSTALLATION TOOL  
FOR LMB-08 BRACKET**

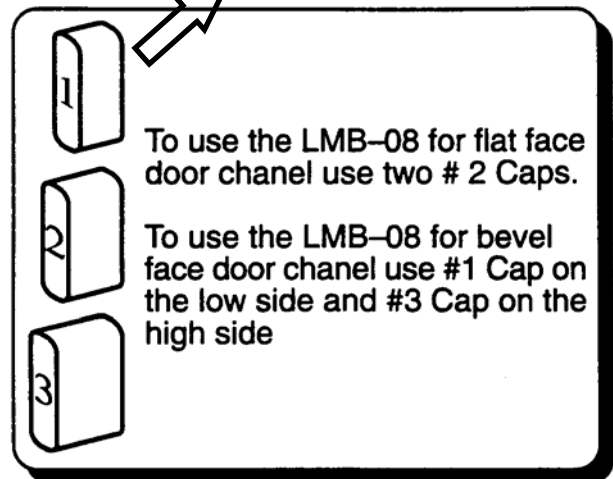
**LMB-08 MOUNTING BRACKET  
AND ADAPTERS**

The LMB-08 mounting bracket will conform to three types of door channel. The standard LMB-08 with no adapters is made to fit radius frames. For beveled or flat frames use the supplied adapters as shown. The adapters are mounted on the "ears" of the mounting bracket.

**PLASTIC STRIP**



The plastic adapters shown at the right will snap on the ears of the LMB-08 mounting bracket and adapt it to different door types. To mount the adapters properly, make sure that the number on the top of the adapter is right side up when facing the plastic strip on the mounting bracket.



**Major**  
MANUFACTURING, INC.

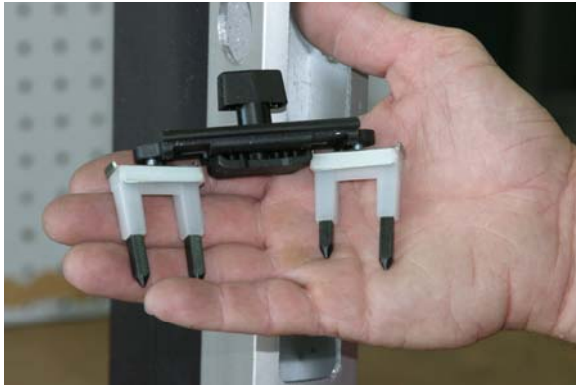
1825 Via Burton, Anaheim, CA, 92806

714-772-5202 / Fax 714-772-2302 / Email / mail@majormfg.com / web www.majormfg.com



## **LMB-089**

Mounting bracket installation tool.



### **ATTACH MOUNTING BRACKETS TO LMB-089 INSTALLATION TOOL**

Using the 8-32 x 1/2" Phillips screws that were supplied, loosely attach a bracket to each side of the tool as shown in the picture. The mounting brackets should be able to spin freely. The knob on the tool should be parallel with the tools length



### **PLACE BRACKETS IN DOOR**

With both brackets attached to the tool and also parallel to the tools length, slide into the door. The mounting bracket has three holes on the top of the plate. One for mounting the lock and two for holding the bracket in the door. One side of the bracket has a plastic strip securing the top plate to the base. Turn one bracket 90 degrees so the plastic strip points away from the tool. Push the knob down and turn 90 degrees, then slide it towards the bracket until it snaps in place. Now slide the entire tool and bracket to one end of the lock cut out until the tool stops.



### SQUARE BRACKETS IN DOOR

Lightly tighten the Phillips mounting screw, this will square the bracket in the door.



### SECURE BRACKETS IN DOOR

With the supplied 7/64" ball tip allen wrench, turn the two allen screws counter clockwise until tight.

**NOTE: OVER TIGHTENING THESE SCREWS WILL DISTORT THE BRACKET.**

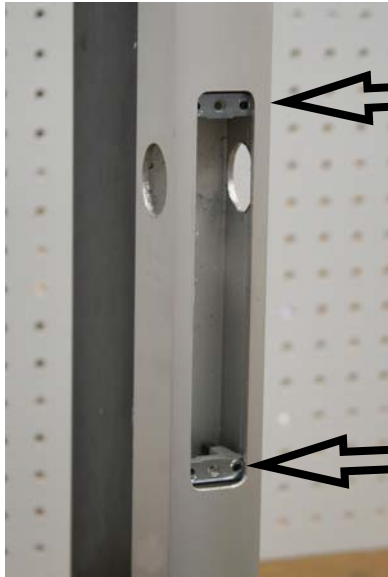
Remove the Phillips screw and mount the other bracket in the same manner. Save the screws and use them to mount the lock in the door frame.

First bracket mounted in door.



### MOUNT SECOND BRACKET

Remove the Phillips screw and mount the other bracket in the same manner. Save the screws and use them to mount the lock in the door frame.



Top mounting bracket—plastic strip is facing **UP**.

### **BOTH MOUNTING BRACKETS INSTALLED**

Both mounting brackets are now installed in door frame.  
Note position of plastic strip, if brackets are mounted upside down, the hole spacing will be off.

Bottom mounting bracket—plastic strip is facing **DOWN**.



Insert lock in door.



Secure lock in door using screws supplied with brackets.  
Installation is complete. Add lock cylinders and faceplate.