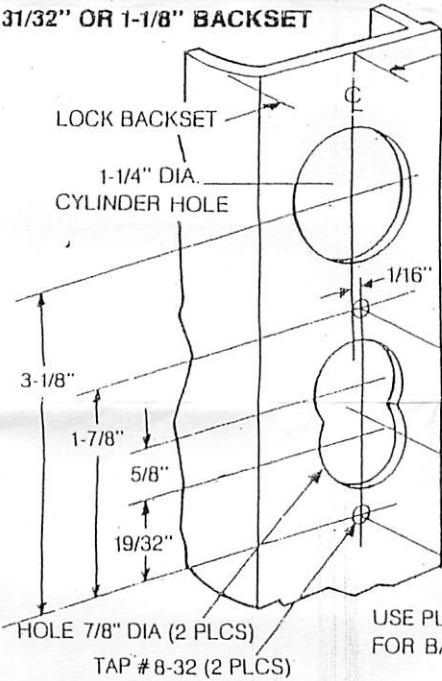


Lock Indicator

INSTALLATION INSTRUCTIONS

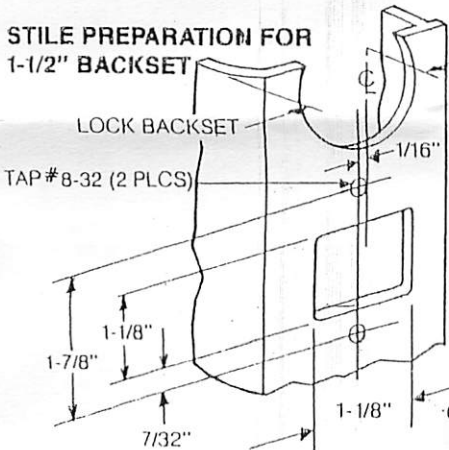
(For Use With DT-1850 or DH-1820 Type Lock)

STILE PREPARATION FOR 7/8" 31/32" OR 1-1/8" BACKSET



1. Drill or drill and tap holes on inside face of Stile as shown
2. Select proper pin and insert into lock (plain pin for basic lock and shoulder pin for basic lock with TB-4015 Threshold Bolt)
3. Install Lock Indicator with (2) #8-32 x 5/16" Flat Head Machine Screw

STILE PREPARATION FOR 1-1/2" BACKSET



Nashville, TN.
Anaheim, CA.
Made in Taiwan