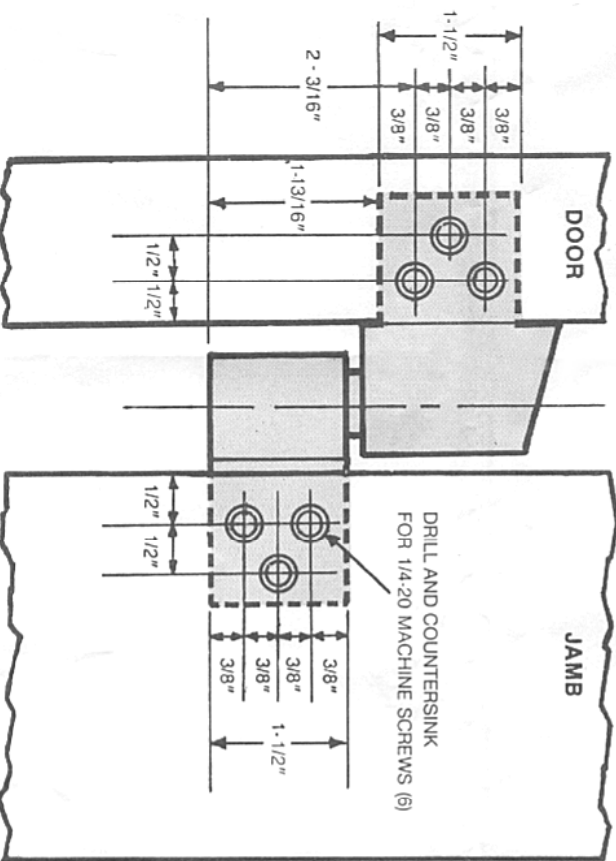
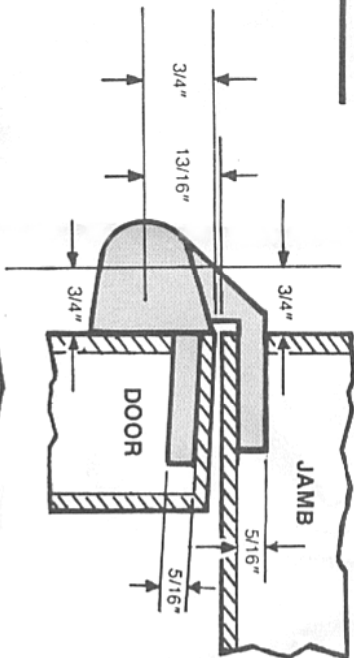


IP-2200 Intermediate Pivot Set - For Aluminum Door & Frame

INSTALLATION INSTRUCTIONS

FLUSH DOOR

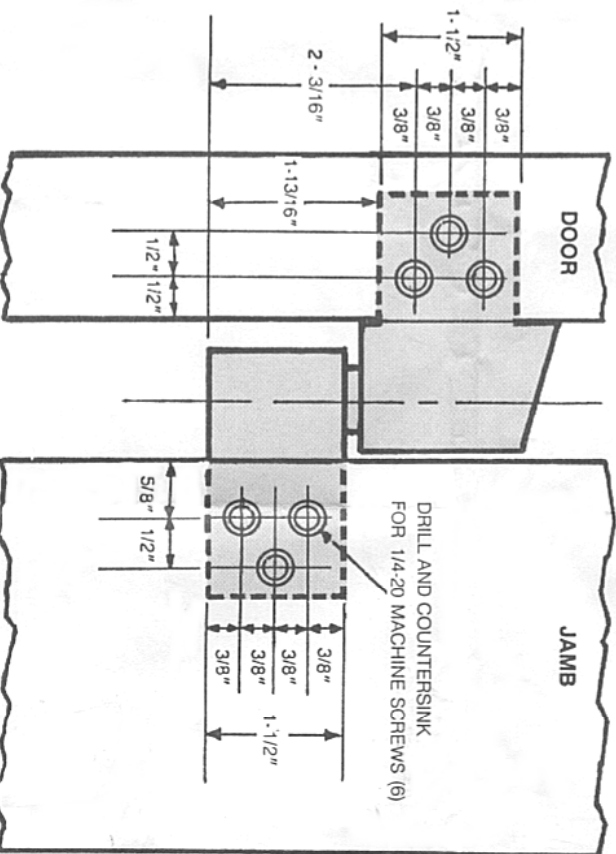
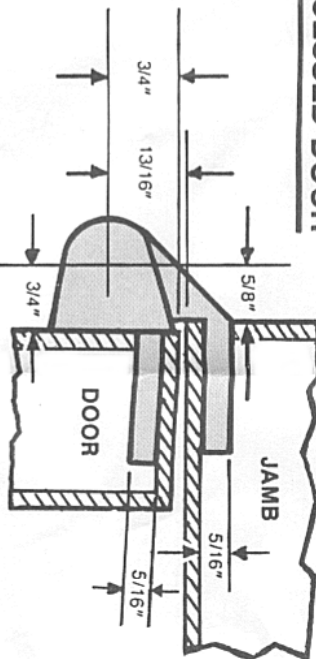


1. ROUT $\frac{5}{16}$ " x $1\frac{1}{2}$ " LONG SLOT IN DOOR STILE AND JAMB AS SHOWN
2. DRILL AND COUNTERSINK DOOR STILE AND JAMB AS SHOWN

Order Online:
<http://www.MrLook.com>

**DO NOT SCALE -
USE DIMENSIONS**

1/8" RECESSED DOOR



1. ROUT $\frac{5}{16}$ " x $1\frac{1}{2}$ " LONG SLOT IN DOOR STILE AND JAMB AS SHOWN
2. DRILL AND COUNTERSINK DOOR STILE AND JAMB AS SHOWN

**DO NOT SCALE -
USE DIMENSIONS**