

CAL-ROYAL

P R O D U C T S, I N C.

Gate Latch Deadlatches

Available With Interchangeable Core

A commercial quality gate latch that provides a positive deterrent to forced entry. A massive free spinning cylinder guard ring will withstand massive attempts to force the cylinder. The cylinder recesses into the door to resist blows attempting to move the lock.



SINGLE CYLINDER
GL220 SERIES
GL220-"C" KEYWAY
KWGLT220-KW KEYWAY



DOUBLE CYLINDER
GL330 SERIES
GL330-"C" KEYWAY
KWGLT330-KW KEYWAY

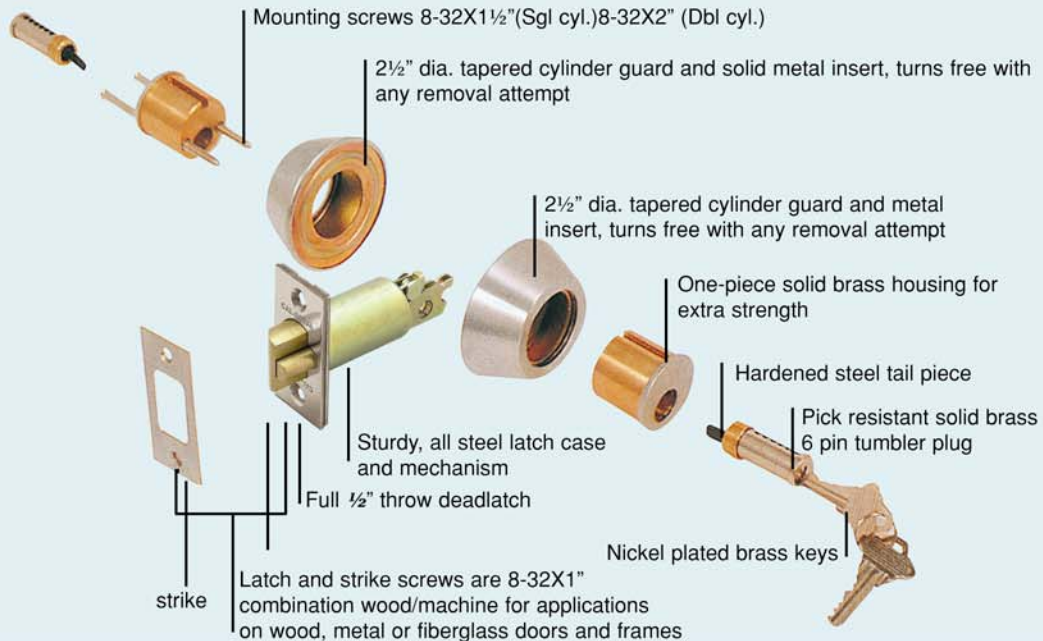


DOOR BOLT GL60 SERIES



DOOR BOLT GL58 SERIES

CONSTRUCTION FEATURES



INTERCHANGEABLE CORE:

Interchangeable core locks will accept compatible 6 or 7 pin cores with BEST, FALCON and ARROW. Add "IC" before part number.

Interchangeable Cores: Available combined or uncombined.

Temporary construction cores available.

Factory keying with control key and masterkey available.

SPECIFICATIONS

Material	:Wrought brass or stainless steel.
Finishes	:US3, US10, US10B, US26D, US26, US4, US5
Door Ranges	:Adjustable 1 3/8" to 1 3/4" thickness.
Backset	:Fixed 2 3/8" or 2 3/4".
Face Plate	:Standard 2 1/4" x 1". Packed with 1/8" filler for 1 1/8".
Strike	:1 1/8" x 2 3/4" square corner.
Bore Diameter	:1" for latch, 2 1/8" for lock housing.
Keyway	:6 pin high security "C" keyway and kwikset KW keyway.

Extra security ½" deadlatch. Cylinder guard ring. Solid brass cylinder and massive free spinning.

CAL-ROYAL PRODUCTS, INC.

6605 FLOTILLA ST., COMMERCE, CA 90040 U.S.A.

TEL: (323) 888-6601 FAX: (323) 888-6699

Website: cal-royal.com • Email: sales@cal-royal.com

Distributed by :