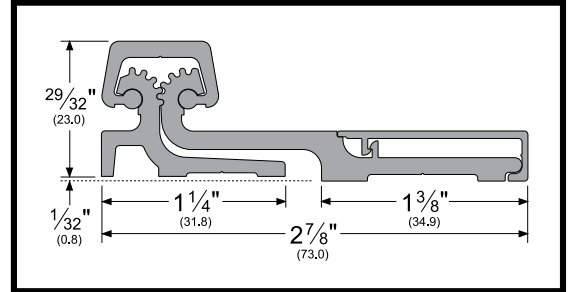


PEMKOHINGE™
Full Surface - Standard/Heavy Duty



- Tested and certified with the best warranty in the industry.
- No restrictions on frame gauge and wall conditions.
- No restriction on cutting hinges in field.
- No special cutting instructions or voided warranties.
- No special door and frame preps up to and including 90 minute doors.

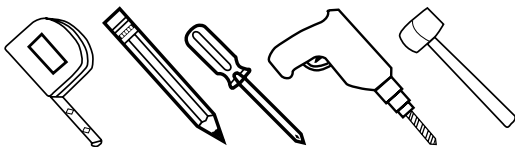
Testing/Ratings:



LISTED
Door Hinges
76Y2

Aluminum continuous hinge for use on swinging type fire doors of the hollow metal, tin-clad, sheet metal and steel covered composite type rated up to 3 hours, wood covered composite type rated up to and including 1-1/2 hours. Also wood core rated up to and including 20 minutes without hose stream. Meet criteria of UBC 7.2 for positive pressure.

Tools Required:



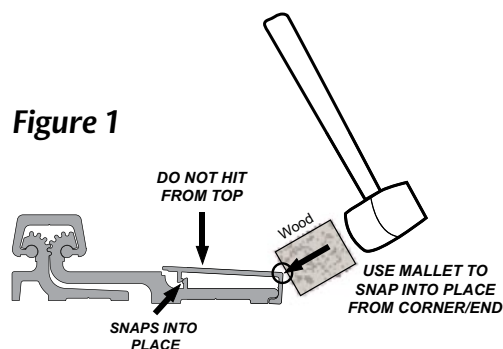
Installation Instructions:

Full Surface units are designed mainly for retrofit work, and are applied to the exposed surface of the door and frame, with clearances as shown below in Figures A & B (below).

1. Open the PemkoHinge™ leafs and position the frame leaf portion on the face of the frame. Allow 1/8" clearance between top of PemkoHinge™ and frame header for proper door head clearance.
2. Mark and drill for #12-24 screws, per Drill Size Chart (below), and attach frame leaf to frame. (Use wax or soap on screws to aid installation.)
3. Position the door in the opening; shim to adjust for proper clearance (See Figures A and B).
4. Install the six (6) #12-24 x 3/4" self drill/tapping screws in the six (6) 7/32" holes located in the door leaf portion of the hinge.

Installation Instructions:

- Remove shims and open the door. Check for proper swing and clearances. Adjust if required.
- Close the door. Mark the centers of the remaining holes. Drill holes all the way through the door using a 1/4" diameter drill.
- Open the door. Enlarge the 1/4" holes on the inside face of the door using a 3/8" dia. drill. Finish attaching door leaf portion of PemkoHinge™ to the face of the door using the four (4) thru-bolts and shoulder bolts. Thru-bolts attach from inside face; shoulder bolts attach from the outside of face.
- To complete the installation, secure the cover by hooking the edge away from hinge gears under the door leaf and then snap the other edge over using a rubber mallet on far side, working from top to bottom. Adjust so top of cover is flush with top of hinge (See Figure 1).



- Firepins are required on 3 hour (A-Label) assemblies. (See reverse side for instructions).

Shortening the Hinge:

If the hinge must be shortened, cut the bottom only using a chop saw. This will allow metal chips to work out after the installation. Although it is not handed, the hinge becomes handed after cutting and the cut edge must be installed at the bottom of the opening.

DRILL SIZE CHART:

MATERIAL	THICKNESS	DRILL SIZE
Aluminum	.090 - .140	13
Metal	20 gauge	17
Metal	16-18 gauge	15
Metal	12-14 gauge	13
Wood	N/A	5/32"

FIGURE A

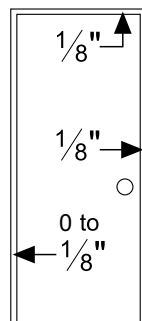
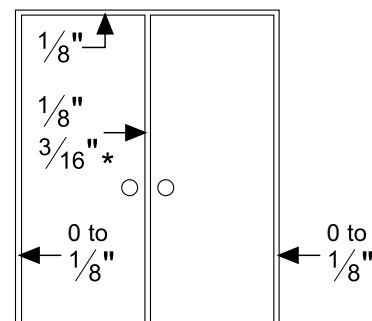
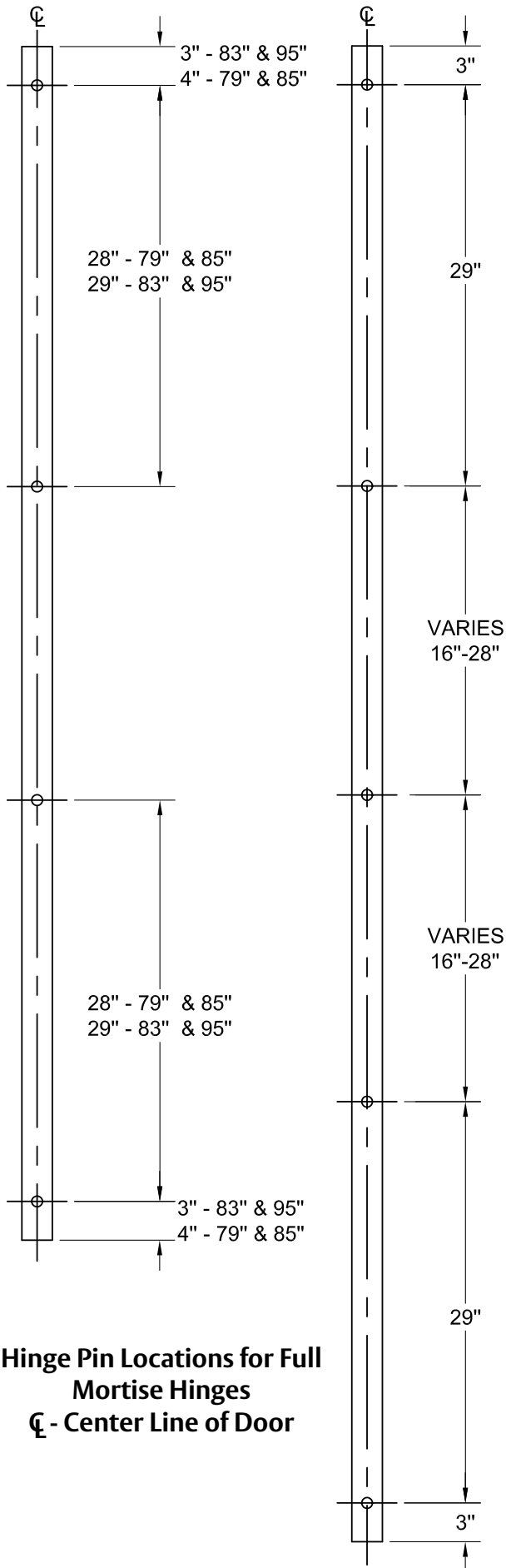


FIGURE B



* Allow extra clearance as required per astragal manufacturer. Certain door and frame conditions may require an extra 1/32"-1/16" clearance. Excessive clearance on fire rated assemblies may violate the requirements of NFPA 80.

Fire Pins:



Hinge Pin Locations for Full Mortise Hinges
CL - Center Line of Door

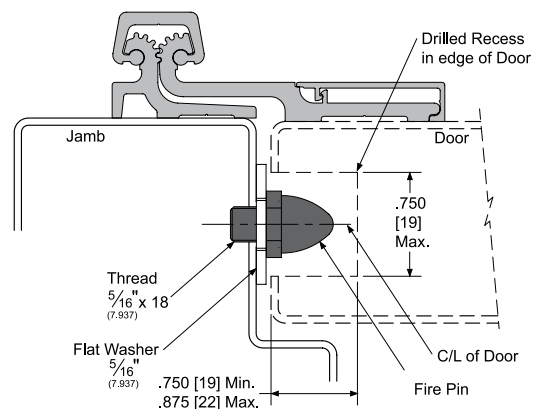
FIRE PINS ARE REQUIRED ON 3 HOUR RATED DOORS ONLY

PIN INSTALLATION:

Full Surface Hinge:

Install hinge on door and frame prior to locating pins.

1. Drill and tap for 5/16-18 threads in frame as indicated on the template or the drilled frame leaf of the hinge. Insert Firepin™ in threaded hole.
2. Drill 3/4" hole 3/4" to 7/8" deep in edge of door where indicated on the template or the drilled door leaf of the hinge.



www.pemko.com

© 2011 Pemko Manufacturing Co.
 FS_WEBINS
 Rev 3 - 01.04.11