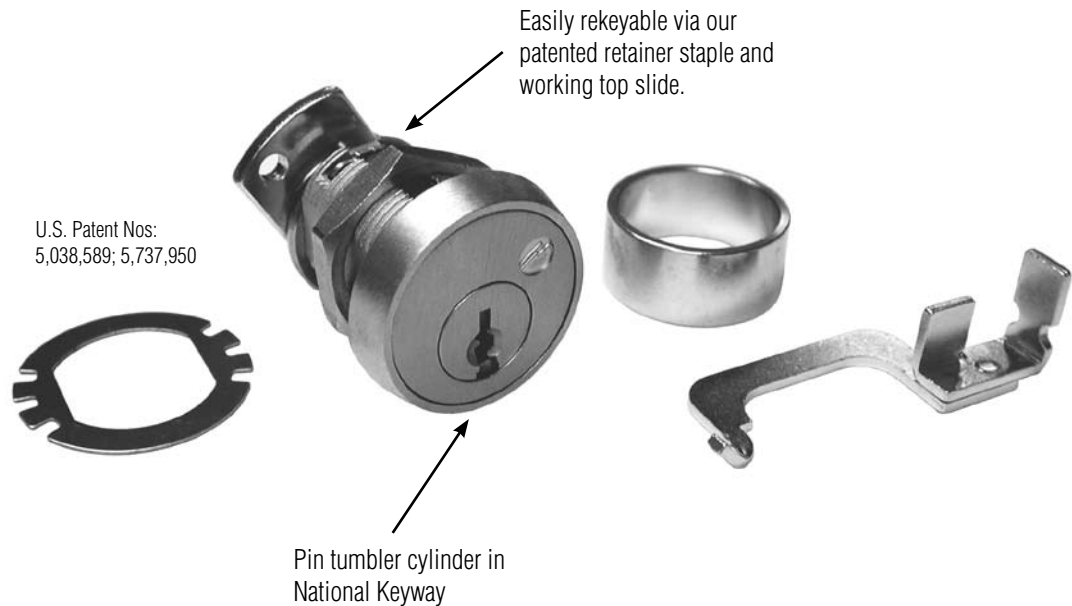


Product

FC10 Series

NEW!

***Pin Tumbler File Cabinet Lock Kit
Replaces HON F24/F28 or HON F26
file cabinet locks***



HON[®]

General Features:

Working top-slide, patented “cylinder retainer staple” and removable bezel ring make rekeying fast and easy.

Replaces HON F24/F28 style file cabinet locks

Replaces HON F26 when used with optional FC26-AR* ring adapter.

For use with HON vertical file cabinets manufactured after 1988.

The FC10 kit includes all parts necessary for complete lock replacement.

Keying Information:

National D4291 (4-pin) or D4292 (5 pin) keyway

KD or KA# 101, 103, 107, 915

Masterkeying/custom keying available

Optional Accessories:

FC26-AR* - Adapter ring allows FC10 to be used in place of F26 style locks.

T37-NKIT - Number plate kit, eliminates need to stamp face of lock. Replacement number ring plates available.

****Note: FC26-AR to be available October, 2009***

OLYMPUS
LOCK, INC.
The cabinet lock innovators.

18424 Highway 99 • Lynnwood, WA 98037
Phone 206-362-3290 • Toll-free 800-525-0954 • Fax 206-362-3569
www.olympus-lock.com • info@olympus-lock.com

FC10 SERIES



**Pin tumbler file cabinet lock kit
replaces HON F24/F28 of F26 style file
cabinet locks**

General Specifications

FC10 Series File Cabinet Lock Kit

Rekeyable: Working top-slide, patented "cylinder retainer staple" and removable bezel ring make rekeying fast and easy.

Direct replacement for HON® F24/F28 vertical file cabinet lock. Use in HON vertical file cabinets produced after 1988. (Also works with HON® Series 1000 vertical file cabinets).

Direct replacement for HON® F26 vertical file cabinet lock when used with F26 adapter ring.

U.S. Patent Nos: 5,038,589, 5,737,950

Material: Zinc die cast lock body

Includes: 2 keys per lock and all parts necessary for complete replacement of lock.

Barrel diameter: 3/4"

Across flats: 5/8"

Finish: 26D

Packaged: Packed 10 per box

Keying Information:

Keyway: National D4291 (4-pin) or

D4292 (5 pin) keyway

Stock KA# 101, 103, 107, 915

Masterkeying/custom keying available

Keyblank 4-pin: KBN-4-NP

Keyblank 5-pin: KBN-5-NP

Pin kit: N1

Optional Accessories:

FC26-AR* - Adapter ring allows FC10 to be used in place of F26 style locks.

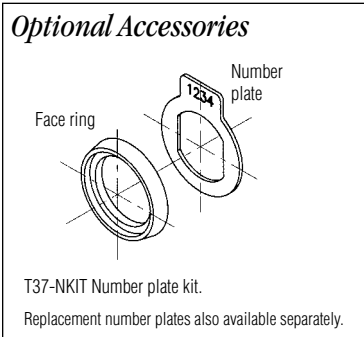
T37-NKIT - Number plate kit, eliminates need to stamp face of lock. Replacement number ring plates available.

HON®

The FC10 kit replaces HON F24/F28 rotate-style file cabinet locks of FC26 style if used with FC26 adapter ring.



The FC10 is for use in HON® vertical files produced after 1988.



***Note: FC26-AR to be available October, 2009**