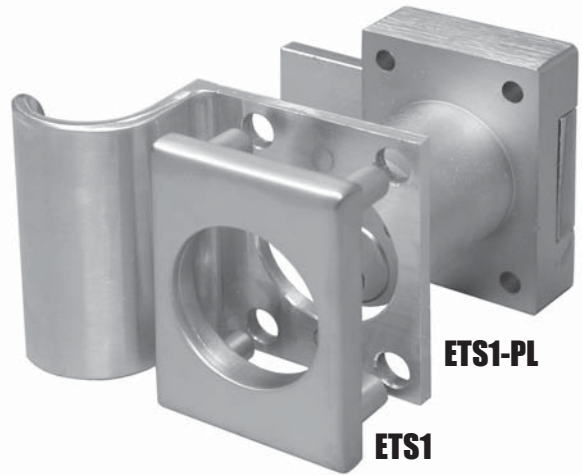


Product

ETS1-PL Series

*Cabinet Pull for use with Olympus
Large Pin 1-1/8" Diameter Cabinet Locks*

NEW



Data Sheet

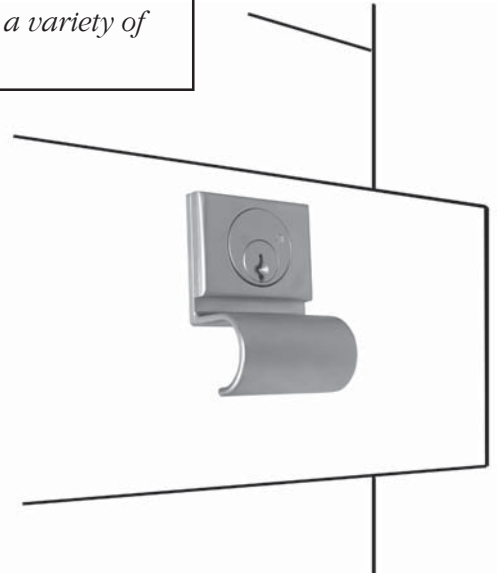


Our new ETS1-PL cabinet pull works with our existing ETS Series reinforcing trim spacers and provides a built-in cabinet pull in addition to the through-bolt mounting achieved with the use of the ETS1 trim spacer. This product provides added security and flexibility to our line of door and drawer cabinet locks. These items can be used in combination or separately to achieve a variety of configurations.

ETS1 / ETS1-PL

FOR 1-1/8" DIAMETER LOCK NOS.

700,721,754,777,800,850,854,888,950



OLYMPUS
LOCK, INC.

The cabinet lock innovators.

18424 Highway 99 • Lynnwood, WA 98037
Phone 206-362-3290 • Toll-free 800-525-0954 • Fax 206-362-3569
www.olympus-lock.com • info@olympus-lock.com

ETS1-PL SERIES



Cabinet Pull for use with Olympus Large Pin 1-1/8" Diameter Cabinet Locks

General Specifications

ETS1-PL - Cabinet pull

- The ETS1-PL fits between our ETS1 reinforcing trim spacer and the face of the cabinet
- When combined with our ETS, it provides through-bolt mounting of cabinet lock and pull in a single unit
- Works in both door or drawer applications
- If mounted "pull down" in drawer applications, the pull will protect the face of the cabinet from the wear and tear of hanging keys
- Works with existing ETS hardware and screws
- Available in US3 and US26D finishes

ETS1 - Reinforcing trim spacer

- The external metal 1/8" or 1/4" trim spacers allows for an attractive flush mounting of the cabinet lock face
- Increases security of installation through reinforcement of cabinet face and direct connection of lock mounting screws to Reinforcing Trim Spacer's binder posts
- Available in US3 and US26D finishes
- Includes mounting screws

ETST1 - Template for reinforcing trim spacer

- Allows for proper mounting hole placement of Reinforcing Trim Spacer
- Can be used as a 1/8" shim spacer
- Available in US3 and US26D finishes

For Olympus locks 700, 721, 754, 777, 800, 850, 854, 888, 950

- ETS1-PL - Cabinet pull
- ETS1-125 - 1/8" thick trim spacer
- ETS1-250 - 1/4" thick trim spacer
- ETST1 - Trim spacer template



U.S. Patent No. D490,686 S

External Trim Spacer & Pull

Below illustrations do not represent all possible configurations.

