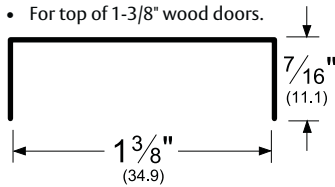


## Door Top Weatherstrip

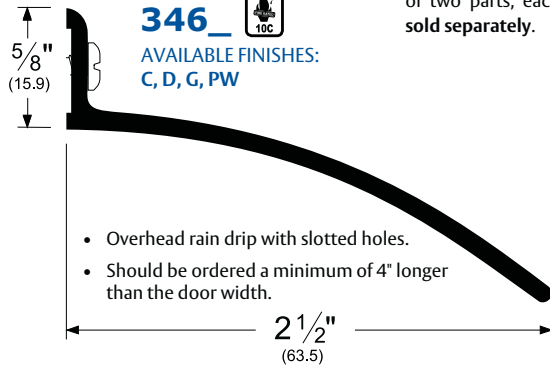
### \_343

AVAILABLE FINISHES: PA  
AVAILABLE LENGTHS: 36", 48"

- For top of 1-3/8" wood doors.



**346**   
AVAILABLE FINISHES:  
C, D, G, PW

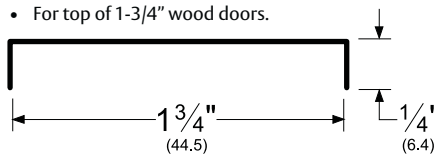


- Overhead rain drip with slotted holes.
- Should be ordered a minimum of 4" longer than the door width.

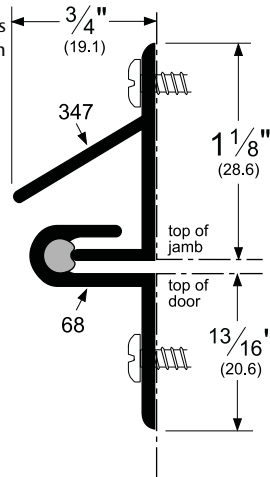
### \_344

AVAILABLE FINISHES: B, PA  
AVAILABLE LENGTHS: 36", 48"

- For top of 1-3/4" wood doors.



Note: Diagram consists of two parts, each sold separately.



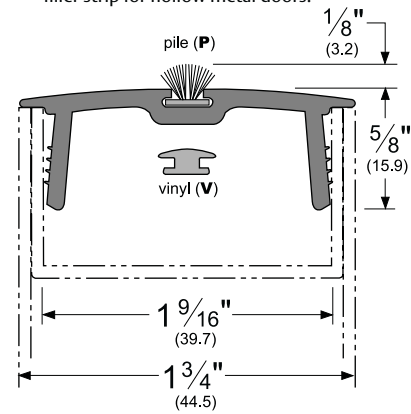
### 377P

pile seal

### 377V

vinyl seal

- Rigid tan colored vinyl with vinyl (V) insert or pile (P) insert used as a door top (or bottom) filler strip for hollow metal doors.



### 347\_ 68\_R

AVAILABLE FINISHES:  
A, D, G

- For outswing doors only.
- Should be ordered a minimum of 4" longer than the door width.

- 347 is the raindrip and hook.
- 68\_R is the interlock.

#### ▲ AVAILABLE FINISHES FOR PRODUCTS SHOWN ON THIS PAGE (see General Information section for finish chart)

A (Mill Finish Aluminum) • B (Mill Finish Extruded Bronze[Brass]) • BDG (Bright Dip Gold Anodized) • C (Clear Anodized)  
D (Dark Bronze Anodized) • G (Gold Anodized) • PA (Painted Aluminum) • PW (Painted White)