

DCP SERIES

3/4" Padlockable Cam Lock

SPECIFICATIONS

Function: Cam lock for use with padlock as locking device. Functions on doors or drawers. Ideal for locker applications.

Through-hole: 0.4"

Padlocks: Not included

Max. material thickness: 1-1/8"

Barrel diameter: 3/4"

Finish: 26D, US26, US3, US19

Packaged: Packed 15 per box

INCLUDED ACCESSORIES

DCP-LC straight 1-1/4" cam

DCNP-SPW pronged wood washer

OPTIONAL ACCESSORIES

Anti-rotation plate: DCP-500-ARP

Padlock bumper plate: DCP-SP1. Available in US32 polished stainless steel or US26D brushed chrome plated.

Optional cams: See chart below

PADLOCKS

DCP works with most other manufacturer's padlocks with shackle diameter of 3/8" (10 mm) or less.

See Olympus Lock's BP Series (Mountain brand) brass padlocks.



DCP

Use: Ideal for locker applications
Cams: Alternate cams available separately.

US26 polished chrome



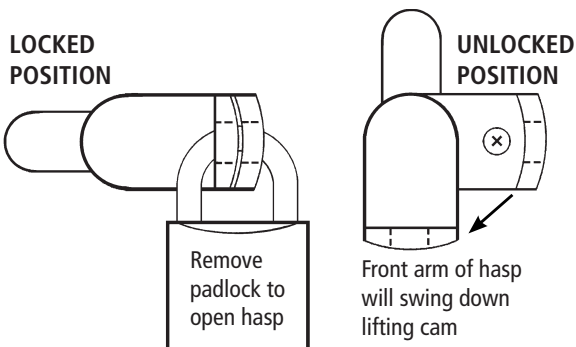
US3 polished brass



US19 flat black



US26D satin chrome



New!



DCP-SP1 BUMPER PLATE

Available in US32 (polished chrome) or US26D (satin chrome). Sold separately.

DCP SERIES

3/4" Padlockable Cam Lock

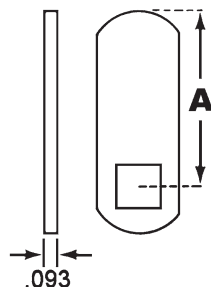
OPTIONAL ACCESSORIES - See our website for a complete list of optional components.

Optional Cams

Note: Offset cams are reversible and can be used in either the inbent or outbent position.

STRAIGHT CAMS

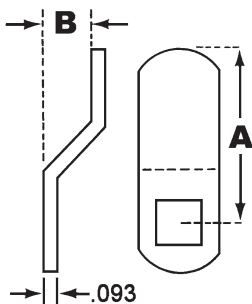
Part No.	Dim. A
DCP-SC	7/8"
DCP-LC (std)*	1-1/4"
DCP-LC-112	1-1/2"
DCP-LC-134	1-3/4"
DCP-LC-225	2-1/4"
DCP-LC-250	2-1/2"



DCP-LC (std) is included in standard package.
All other cams are available separately.

OFFSET CAMS

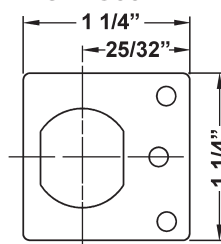
Part No.	Dim. A	Dim. B
DCP-1-14	1"	1/4"
DCP-LBC	1-1/4"	1/4"
DCP-114-18	1-1/4"	1/8"
DCP-118-18	1-1/8"	1/8"
DCP-114-38	1-1/4"	3/8"
DCP-LBC-138	1-3/8"	3/8"
DCP-LBC-178	1-7/8"	1/2"
DCP-112-14	1-1/2"	1/4"



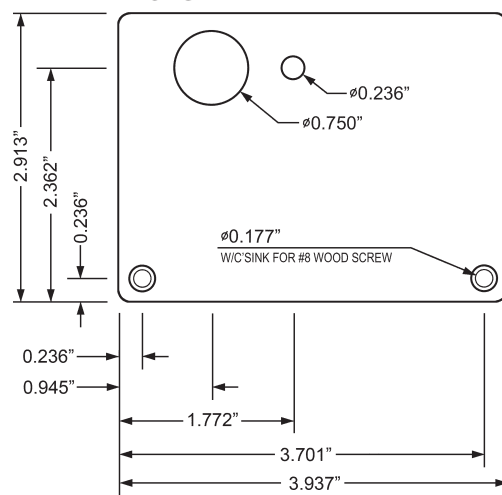
Other Accessories

- DCNP-500-ARP provides a more secure mounting in particle board
- DCP-SP1 protects face of cabinet from padlock and keys. Available in US32 (polished stainless) or US26D (brushed chrome)

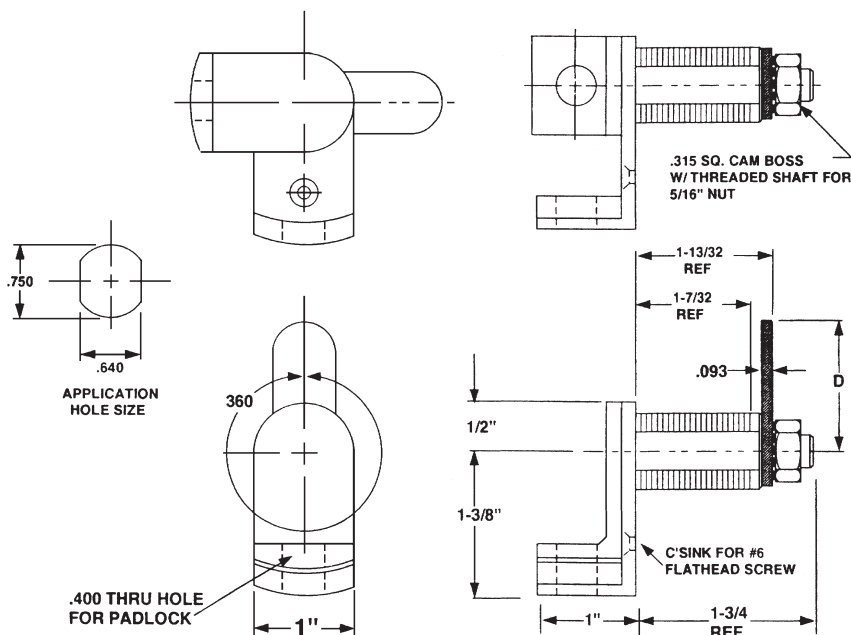
DCNP-500-ARP



DCP-SP1



DIMENSIONS



PADLOCK SPECIFICATIONS

The DCP works with most industry standard padlocks with a shackle diameter of 3/8" (10 mm) or less.

OLYMPUS PADLOCKS

Mountain Brand: Blister packed brass padlocks
IC Core: Brass padlocks for Corbin/Russwin interchangeable cores (sold less core)



The DCP accepts padlocks with a shackle diameter of 3/8" (10mm) or less

For more information on our complete line of padlocks visit www.olympus-lock.com