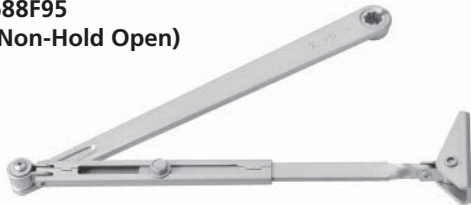


Arm Options

DC6000

**688F95
(Non-Hold Open)**



**688F77
(Hold Open)**



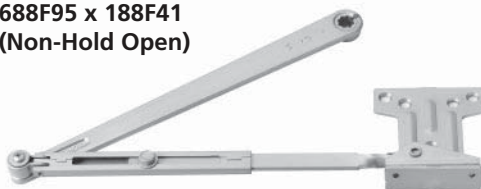
**691F72
(Non-Hold Open)**



**597F52
(Non-Hold Open Only)**



**688F95 x 188F41
(Non-Hold Open)**



**688F77 x 509F49
(Hold Open)**



Regular Arm

- Used with regular arm (pull side) and top jamb (push side) mounting
- Available in painted or plated finishes
- Non-hold open arm standard on the DC6200 and DC6400 closers
- Hold open arm optional, specify closer x **A1***

Deep Reveal Arm (3-3/8" (86mm) - 7-1/4" (184mm))

- Accommodates top jamb mounting for reveals up to 7-1/4" (184mm), depending on door and frame conditions
- Mounted on push side
- Available in painted or plated finishes
- Optional on DC6220 and DC6420 closers
- Non-hold open, specify closer x **A6**
- Hold open, specify closer x **A8***

Non-Hold Open	691F72
Hold Open	691F74

Heavy-Duty Regular Arm

- Recommended for high-use, high-abuse environments
- Tamper-resistant, solid forged steel riveted arm
- Mounted on pull side
- Not available in plated finishes
- Optional on DC6200 and DC6400 closers, specify closer x **A10**

Parallel Arm

- Mounted on push side
- Non-hold open arm – combines regular arm with parallel arm mounting bracket
- Available in painted or plated finishes
- Hold open arm – combines regular hold-open arm with parallel arm mounting bracket
- Non-hold open arm standard – order DC6210 or DC6410 series
- Hold open arm optional, specify closer x **A1***

Specify finish when ordering arms. *Not allowed by code on fire doors.

**689F02
(Non-Hold Open)**



**689F01
(Hold Open)**



Heavy-Duty Parallel Arm

- Recommended for high-use, high-abuse environments
- Tamper-resistant, solid forged steel riveted arm
- Mounted on push side
- Not available in plated finishes
- Optional on DC6210 and DC6410 closers
- Non-hold open arm, specify closer x **A3**
- Hold open arm, specify closer x **A2***. Hold-open range 85° to 110°
- For use with overhead stops, specify closer x **A13** (see page 10)

**689F03
(Non-Hold Open)**



**689F04
(Hold Open)**



Heavy-Duty Reversible Backstop Parallel Arm

- Recommended for high-use, high-abuse environments
- Tamper-resistant, solid forged steel riveted arm
- Mounted on push side
- Not available in plated finishes
- Optional on DC6210 and DC6410 closers
- Field-reversible steel lug restricts degree of opening to protect door, wall and hardware
- Shipped standard as left hand. Handing can be reversed in the field
- Non-hold open arm, specify closer x **A4**. Door stop range 85° to 110°
- Hold open arm, specify closer x **A5***. Door stop/hold open range 85° to 110°

(Non-Hold Open)



(Hold Open)



Heavy-Duty Spring Stop Parallel Arm

- Recommended for high-use, high-abuse environments
- Integrates a door closer, shock absorber and auxiliary heavy-duty overhead stop
- Not available in plated finishes
- Hold open*
 - Holder mechanism tension adjustable
 - Hold open can be engaged/disengaged with a 1/4 turn of the mechanism with a standard blade type screwdriver
- Optional on DC6210 and DC6410 closers
- Non-hold open arm, specify closer x **A11 x door width**. Door stop range 85° to 110°.
- Hold open arm, specify closer x **A12* x door width**. Door stop/hold open range 85° to 110°.

Refer to page 12 for bracket information

Specify finish when ordering arms.

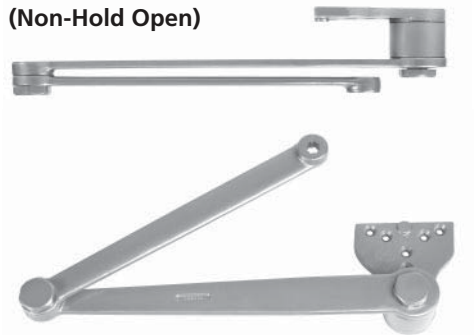
*Not allowed by code on fire doors.

Door Width	Model Number	
	Non-Hold Open	Hold Open
28" - 32" (71cm - 81cm)	615F52	615F51
33" - 41" (84cm - 104cm)	615F54	615F53
42" - 48" (107cm - 122cm)	615F56	615F55

Arms and Brackets

DC6000

691F96 (Non-Hold Open)



Heavy-Duty Extra Clearance Parallel Arm

- Recommended for high-use, high-abuse environments
- Provides additional vertical clearance
- Mounted on push side
- Not available in plated finishes
- Optional on DC6210 and DC6410 closers
- Non-hold open arm only, specify closer x **A13**

Standard Clearance	Closer	With Spacer	Quick Code	Total Clearance
1-3/4"	DC8210	597F92	M77	2-1/4"
		597F93	M78	2-3/8"



Heavy-Duty Parallel Hold Open Arm

- Recommended for high-use, high-abuse environment
- Requires auxiliary stop (by others)
- Handed
- Mounted on push side
- Not available in plated finishes
- Allows door to swing 180°, conditions permitting
- Optional on DC6210 and DC6410 closers
- Hold open arm, specify closer x **A14***

Part Number	Handing
692F04	Right Hand
692F05	Left Hand

754F44 Shown



Pull Side Track Arm

- Provides a clean aesthetic look with maximum 110° door swing and a minimum door width of 28" (71cm)
- Mounted on pull side
- Not available in plated finishes
- Non-hold open standard on DC6230 or DC6430 closers
- Hold open, specify closer x **A1***
- Hold open function can be turned on or off using a standard blade screw driver
- Stop/Hold open can be set for 85°, 90°, 95°, or 100°

	Track and Arm	Track Only	Arm Only
Non-Hold Open	754F44	754F09	754F16
Hold Open	754F45	754F10	

754F13 Shown



Push Side Track Arm

- Clean aesthetic look for doors opening a maximum of 110° and a minimum door width of 32" (81cm)
- Mounted on push side
- Not available in plated finishes
- Non-hold open standard on DC6240 and DC6440 closers. For hold open, specify closer x **A1***
- Stop/hold open can be set for 85°, 90°, 95° or 100°
- Hold open function can be turned on or off using a standard blade screw driver

	Track and Arm	Track Only	Arm Only
Non-Hold Open	754F12	754F14	754F16
Hold Open	754F13	754F15	

Specify finish when ordering arms or tracks.
*Not allowed by code on fire doors.