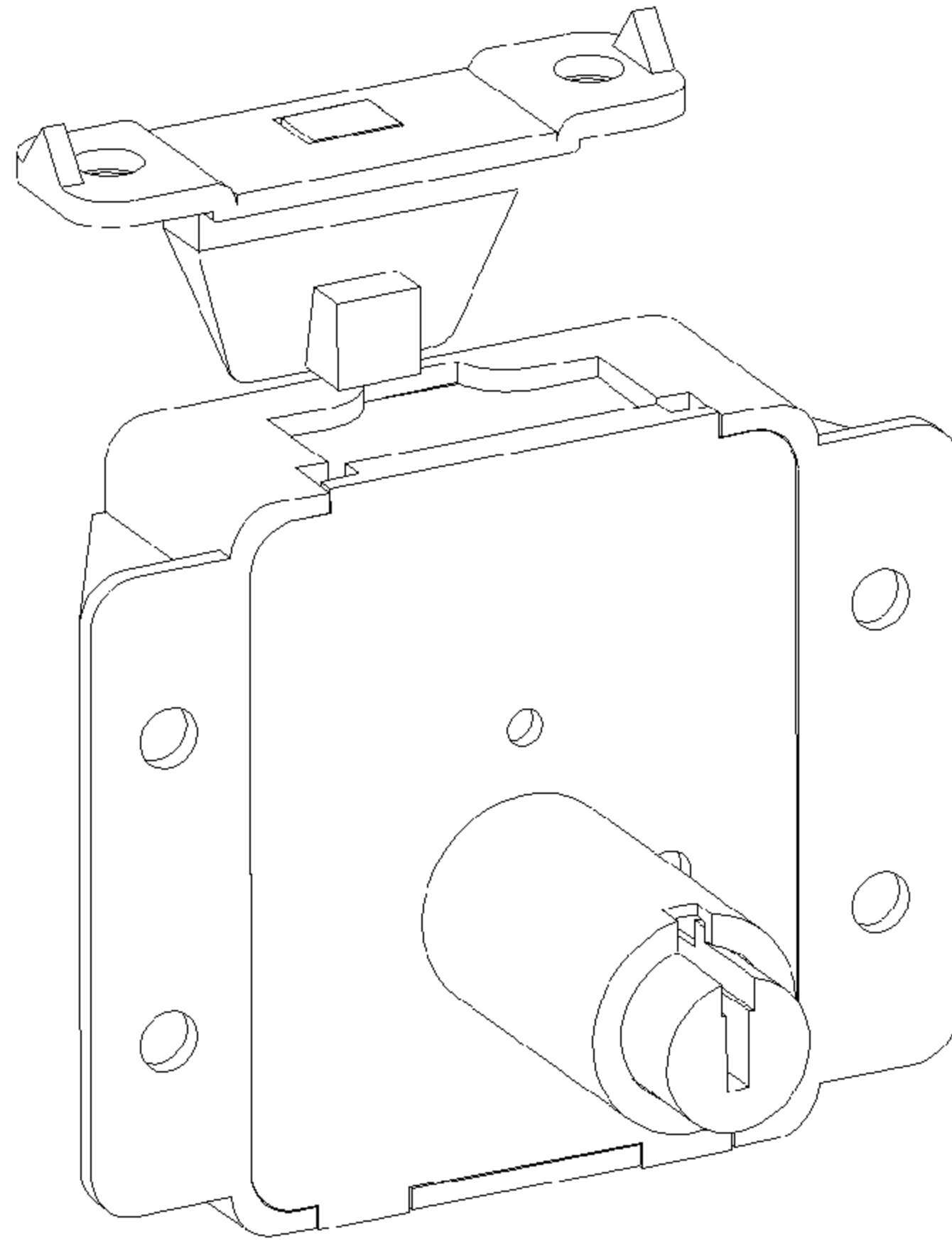


C8414 CHEST LID LOCK



PART	INSTALLATIONS	BOLT TYPE	BOLT TRAVEL	CASE QUANTITY	REFERENCE NUMBER	KEY BLANK
C8414-4G	CHEST LID, SURFACE MOUNTED	INTERNAL ENGAGES STRIKE	-	25	NO-8414-001	D8194

