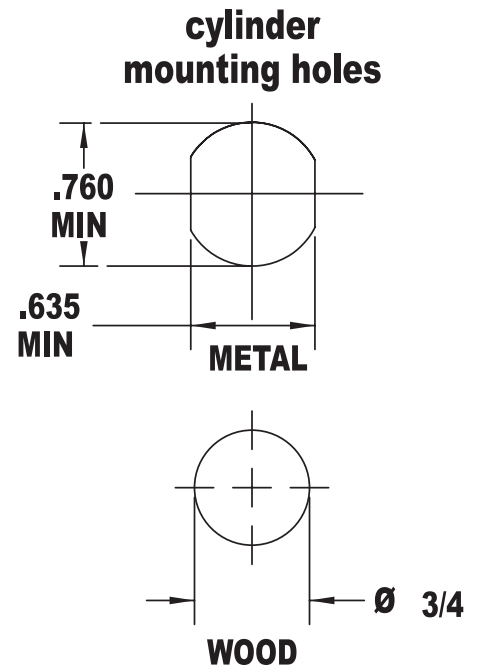
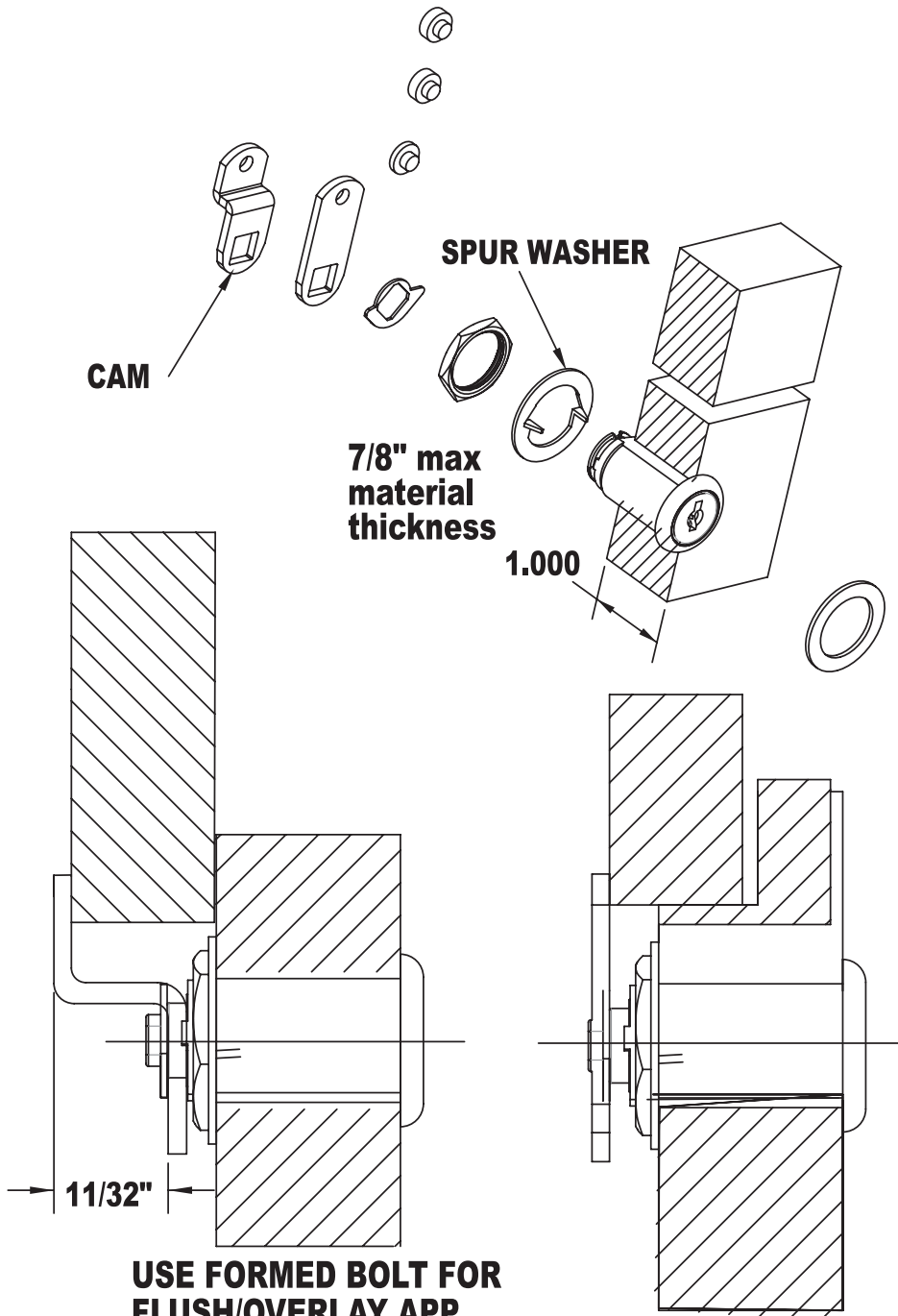


C8075 CAM LOCK

- 5 disc tumbler
- 90° or 180° cam turn
- 1-7/16" cylinder length



**USE FORMED BOLT FOR
FLUSH/OVERLAY APP**

**USE STRAIGHT CAM FOR
LIPPED/OVERLAY APP**

**NOTE: DO NOT
USE SPUR
WASHER WITH
METAL DOOR OR
DRAWER**