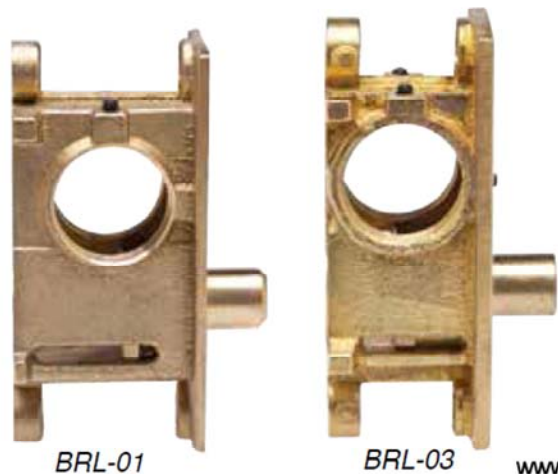
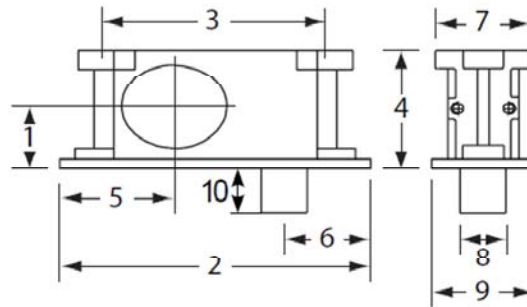


Mortise Locks - For Tempered Glass Doors



Glass Door Bottom Rail Lock - BR Series

Installed in the bottom rail or in patch fitting of an all glass door. Bolt is retracted by $1\frac{5}{32}$ " (29.35 mm) mortise cylinder with standard cam (See Page 6 and 7 Brass Cylinders/Security Hardware Suggested List Price).



www.MrLock.com

MODEL NUMBER	1	2	3	4	5	6	7	8	9	10
BRL-03	.84252" (21.4)	4.154" (105.5)	3.543" (90.0)	1.44" (39.6)	1.437" (36.6)	1.5" (38.0)	1.3454" (34.4)	.618" (15.7)	1.3031" (33.1)	.71 (18.03)
BRL-01	.96457" (24.5)	4.154" (105.5)	3.543" (90.0)	1.8898" (48.0)	1.437" (36.6)	1.5" (38.0)	1.3454" (34.4)	.618" (15.7)	1.3031" (33.1)	.71 (18.03)