



**CAL-ROYAL**  
P R O D U C T S, I N C.



**9800 & F9800 Rim Type Panic And Fire Exit Devices**  
**9860 & F9860 Vertical Rod Panic And Fire Exit Devices**  
**ANSI A156.3, Grade 1**

**Lifetime  
Warranty**  
**BHMA  
CERTIFIED**



**Suggested Architect's Specifications**

- ◆ All exit devices shall be of touch bar design with smooth operation and be operative over 2/3 of the door's clear opening width.
- ◆ All exit devices must be listed under "Panic Hardware" in the Accident Equipment List of Underwriters' Laboratories, Inc. Where labeled doors are used as exits, they must be equipped with labeled Fire Exit Hardware and UL10C, UBC 7-2-1997 codes.
- ◆ All springs shall be of stainless steel throughout.
- ◆ All exit devices shall be of chassis mounted unit construction.
- ◆ All exit devices shall be ANSI A156.3, Grade 1.

**Features & Construction**

- ◆ For use in institutions, schools, universities, commercial buildings where heavy duty reliable operation is a requirement.

**Features & Construction**

- ◆ ANSI A156.3, Grade 1 heavy duty exit device in surface vertical rod and rim designs.
- ◆ Rail assemblies and end caps are brass, bronze or stainless steel and rail travels in direction of the door swing.
- ◆ Trims are thru bolted for additional security.
- ◆ Conforms & Meets ADA Regulations.
- ◆ UL Listed for Panic and UL10C, UBC 7-2-1997 codes.
- ◆ UL Listed for Fire Exit Hardware. **3 hours.**
- ◆ (A) label rating on pairs of doors up to 8'0" x 8'0" swinging in same or opposite directions.
- ◆ Uncompromising security and safety in single and double fire exit doors.
- ◆ Chassis mounted unit construction. Rim and vertical rod devices are nonhanded and easily reversible.
- ◆ Available in many different functions. Lever and escutcheon trims are grade 1 construction with clutch freewheeling mechanism. Rose and escutcheon covers 161 cut out.



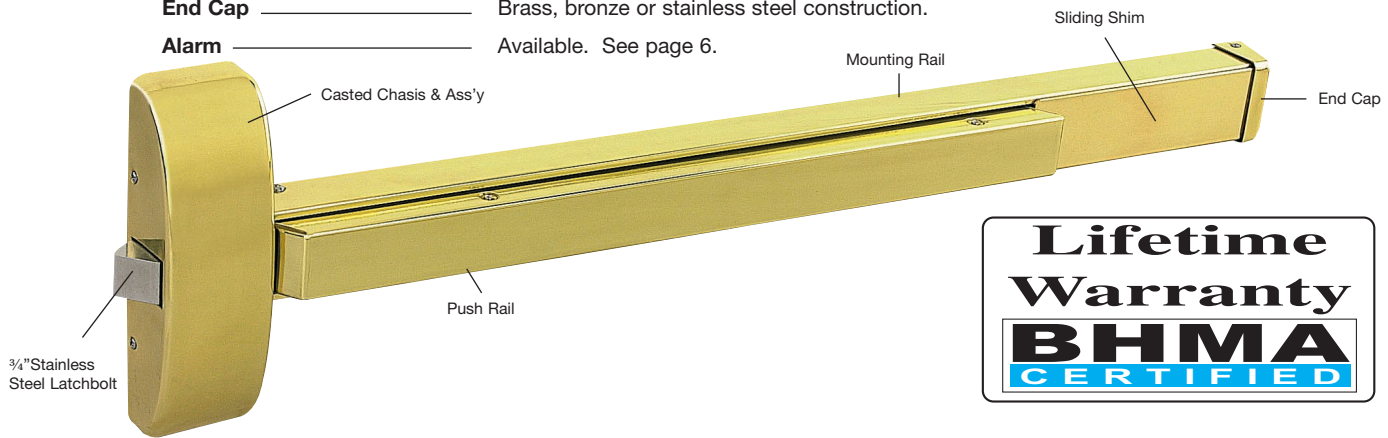
# 9800 & F9800

## Series

### Rim Type Exit Device

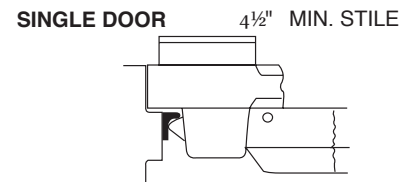
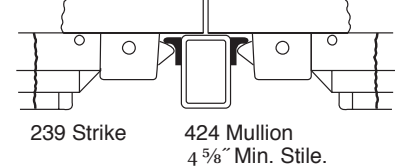
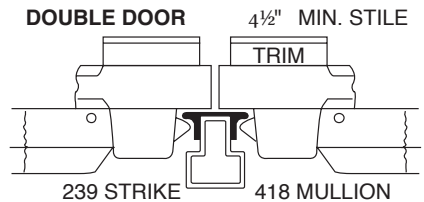
#### Specifications

- For Doors** \_\_\_\_\_ 1¾" thick standard optional 2¼" thick. 4½" minimum stile width required for single or double door application using standard 239 strike and pull or lever, thumbpiece and escutcheon trims.
- Chassis** \_\_\_\_\_ Nonferrous alloy (Panic Grade), steel (Fire Grade).
- Cover** \_\_\_\_\_ Brass, bronze or stainless steel. Covers stock hollow metal doors with 161 cutout.
- Mounting** \_\_\_\_\_ Furnished with wood and machine screws. Available with thru bolts on request.  
**Thru bolts are included and standard packaging on fire rated devices.**
- End Cap** \_\_\_\_\_ Brass, bronze or stainless steel construction.
- Alarm** \_\_\_\_\_ Available. See page 6.



- Hand** \_\_\_\_\_ Non handed, center hub.
- Latch Bolt** \_\_\_\_\_ Stainless steel ¾" throw.
- Spring** \_\_\_\_\_ Stainless steel throughout.
- ANSI Standard** \_\_\_\_\_ A156.3, Grade 1.
- Rail Assembly** \_\_\_\_\_ Heavy gauge brass, bronze or stainless steel.
- Strike** \_\_\_\_\_ 239 packed standard ( See strike page ).
- Dogging Feature** \_\_\_\_\_ Allen-type key furnished standard on non-fire labeled devices. Cylinder dogging available.
- Mullion** \_\_\_\_\_ Available.
- UL and ULC Listed** \_\_\_\_\_ 9800 Series for panic. F9800 Series for fire exit hardware for all types of 4' x 8' single doors and 8' x 8' double doors for up to 3 hour fire labeled installations, conforms to standards UL10C and UBC 7-2-1997 codes.
- Finish** \_\_\_\_\_ Architectural plated finishes. See page 5
- Door size** \_\_\_\_\_ 9800E036 and F9800E036 for 36" doors.  
9820E048 and F9820E048 for 48" doors.

**Minimum Stile Requirements**  
 4" escutcheon trims & 4½" for thumbpiece and rose trims



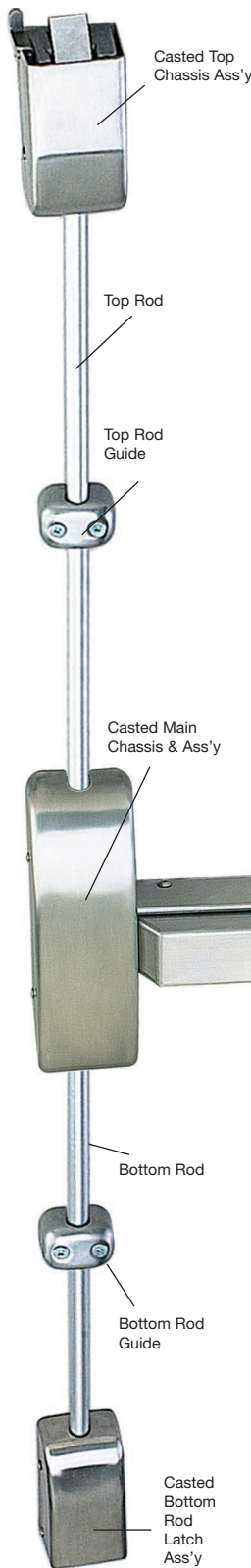
#### DIMENSIONS

Touchbar height to finished floor	41" (1043mm) at center
Touchbar projection	
neutral	2½" (64mm)
depressed	1¾" (45mm)
Center case	8½" x 2½" x 2" (216mm x 69mm x 52mm)
Device length—Short 3' (914mm)	2'2" to 3' (840mm to 914mm) door size
Long 4' (1219mm)	2'9" to 4' (1145mm to 1219mm) door size



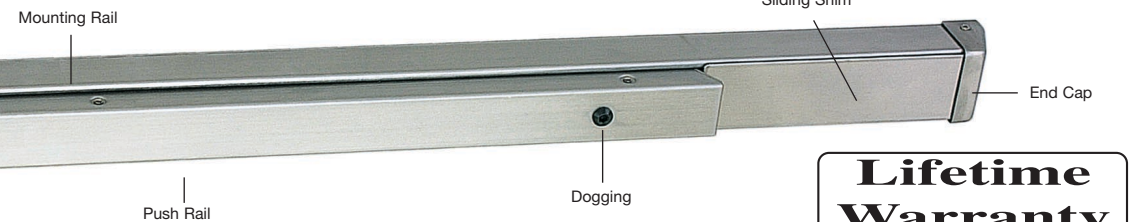
# 9860 & F9860 Series

## Vertical Rod Type Exit Device



### Specifications

- For Doors** \_\_\_\_\_ 1<sup>3</sup>/<sub>4</sub>" thick standard optional 2<sup>1</sup>/<sub>4</sub>" thick. 3<sup>3</sup>/<sub>4</sub>" minimum stile width required for single door application. 3<sup>1</sup>/<sub>2</sub>" minimum stile width required for double door application. Lever, thumbpiece and escutcheon trims available.
- Chassis** \_\_\_\_\_ Nonferrous alloy (Panic Grade), steel (Fire Grade).
- Cover** \_\_\_\_\_ Brass, bronze or stainless steel. Covers stock hollow metal doors with 161 cutout.
- Mounting** \_\_\_\_\_ Furnished with wood and machine screws. **Thru bolts are standard packaging on fire rated devices.**
- Alarm** \_\_\_\_\_ Available. Prefix "Alrm" before part #.



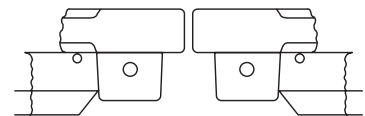
- End Cap** \_\_\_\_\_ Brass, bronze or stainless Steel Construction.
- Hand** \_\_\_\_\_ Easily field reversible. Specify at time of order LHRB, RHRB for convenience.
- Latch Bolt, Spring** \_\_\_\_\_ Stainless steel.
- ANSI Standard** \_\_\_\_\_ A156.3, Grade 1.
- Rail Assembly** \_\_\_\_\_ Heavy gauge brass, bronze or stainless steel.
- Strike** \_\_\_\_\_ See strike page.
- Dogging Feature** \_\_\_\_\_ Allen-type key furnished standard on non-fire labeled devices. Cylinder dogging available.
- UL and ULC Listed** \_\_\_\_\_ 9860 Series for panic. F9860 Series for fire exit hardware for all types of 8' x 8' double doors for up to 3 hour fire labeled installations, conforms to standards UL10C and UBC 7-2-1997 codes.
- Finish** \_\_\_\_\_ Architectural plated finishes. See page 5.
- Door size** \_\_\_\_\_ 9860V3694 and F9860V3684 for 36" x 84" doors.  
9880V4896 and F9880V4896 for 48" x 96" doors.  
9890V3696 and F9890V3696 for 36" x 96" doors.  
9850V36120 for 36" x 120" doors.  
9840V48120 for 48" x 120" doors.

### DIMENSIONS

Touchbar height to finished floor	41" (1043mm) at center
Touchbar projection	
neutral	2 <sup>1</sup> / <sub>2</sub> " (64mm)
depressed	1 <sup>3</sup> / <sub>4</sub> " (45mm)
Center case	8 <sup>1</sup> / <sub>2</sub> " x 2 <sup>1</sup> / <sub>2</sub> " x 2" (216mm x 69mm x 52mm)
Device length—Short 3' (914mm)	2'2" to 3' (840mm to 914mm) door size
Long 4' (1219mm)	2'9" to 4' (1145mm to 1219mm) door size
Panic grade top & bottom latch case	3 <sup>1</sup> / <sub>16</sub> " x 2 <sup>1</sup> / <sub>8</sub> " x 1 <sup>3</sup> / <sub>8</sub> " (100mm x 52mm x 42mm)
Fire grade top latch case	3 <sup>1</sup> / <sub>16</sub> " x 2 <sup>1</sup> / <sub>16</sub> " x 2 <sup>1</sup> / <sub>16</sub> " (100mm x 68mm x 53mm)
Fire grade bottom latch case	3 <sup>1</sup> / <sub>16</sub> " x 2 <sup>1</sup> / <sub>8</sub> " x 1 <sup>3</sup> / <sub>8</sub> " (100mm x 52mm x 42mm)
Top and bottom rod length for 36" x 84" doors	Top rod 43 <sup>1</sup> / <sub>4</sub> "(1100mm), bottom rod 37 <sup>3</sup> / <sub>4</sub> " (960mm)
Top and bottom rod length for 48" x 96" doors	Top rod 53 <sup>1</sup> / <sub>16</sub> "(1350mm), bottom rod 37 <sup>3</sup> / <sub>4</sub> " (960mm)
Vertical rods	1/2" (13mm) Round tubing

### Minimum Stile Requirements

Double Door-With Two Vertical Rod Type Exit Devices

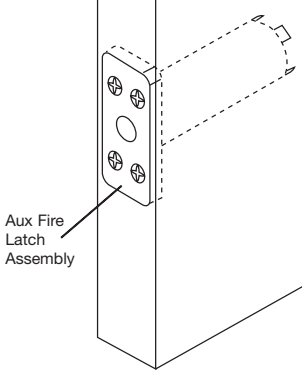
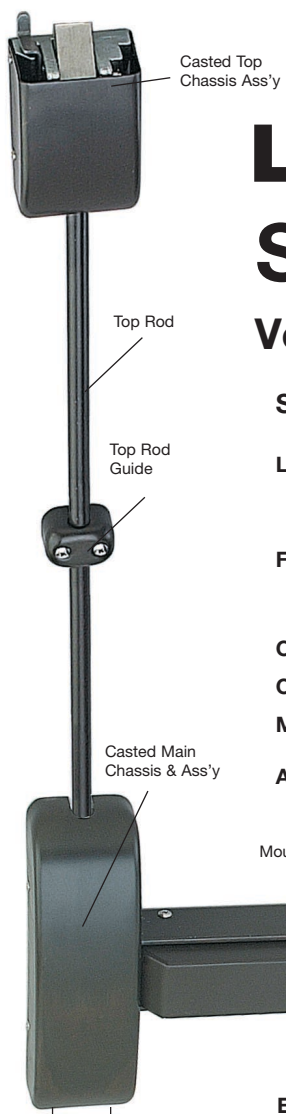


3 1/2" Min. Stile



# LBR 9860 & F9860 Series

## Vertical Rod Type Exit Device Less Bottom Rod - LBR



### Specifications

- LBR** \_\_\_\_\_ No Bottom Strike. Free access for wheel chairs, stretcher and carts therefore eliminates tripping potential and disfiguration of floors due to dragging of bottom bolts.
- For Doors** \_\_\_\_\_ 1 3/4" thick standard. 3 3/4" minimum stile width required for single door application. 3 1/2" minimum stile width required for double door application. Lever, thumbpiece and escutcheon trims available.
- Chassis** \_\_\_\_\_ Nonferrous alloy (Panic Grade), steel (Fire Grade).
- Cover** \_\_\_\_\_ Brass, bronze or stainless steel. Covers stock hollow metal doors with 161 cutout.
- Mounting** \_\_\_\_\_ Furnished with wood and machine screws. **Thru bolts are standard packaging on fire rated devices.**
- Alarm** \_\_\_\_\_ Available. Prefix "Alrm" before part #.



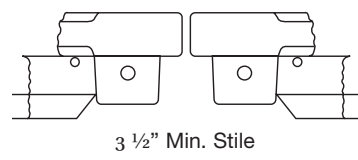
- End Cap** \_\_\_\_\_ Brass, bronze or stainless steel construction.
- Hand** \_\_\_\_\_ Easily field reversible. Specify at time of order LHRB, RHRB for convenience.
- Latch Bolt, Spring** \_\_\_\_\_ Stainless steel.
- Auxiliary Spring Latch** \_\_\_\_\_ Auxiliary spring loaded latchbolt is installed in the lower edge of the door, when exposed to fire latchbolt releases keeping the door closed and regulated.
- ANSI Standard** \_\_\_\_\_ A156.3, Grade 1.
- Rail Assembly** \_\_\_\_\_ Heavy gauge brass, bronze or stainless steel.
- Strike** \_\_\_\_\_ See strike page.
- Dogging Feature** \_\_\_\_\_ Allen-type key furnished standard on non-fire labeled devices. Cylinder dogging available.
- UL and ULC Listed** \_\_\_\_\_ All Series for panic. **LBR** Series for fire exit hardware for all types of 8' x 8' double doors including double egress for up to 3 hour metal, 1 1/2 hour wood doors fire labeled installations. Conforms to standards UL10C and UBC 7-2-1997 codes.
- Finish** \_\_\_\_\_ Architectural plated finishes. See page 5
- Door size** \_\_\_\_\_ **LBR 9860V3684** and **LBR F9860V3684** for 36" x 84" doors.  
**LBR 9880V4896** and **LBR F9880V4896** for 48" x 96" doors.  
**LBR 9890V3696** and **LBR F9890V3696** for 36" x 96" doors.

### DIMENSIONS

Touchbar height to finished floor	41" (1043mm) at center
Touchbar projection	
neutral	2 1/2" (64mm)
depressed	1 3/4" (45mm)
Center case	8 1/2" x 2 1/2" x 2" (216mm x 69mm x 52mm)
Device length—Short 3' (914mm)	2'2" to 3' (840mm to 914mm) door size
Long 4' (1219mm)	2'9" to 4' (1145mm to 1219mm) door size
Panic grade top latch case	3 15/16" x 2 1/8" x 1 3/8" (100mm x 52mm x 42mm)
Fire grade top latch case	3 15/16" x 2 1/16" x 2 1/16" (100mm x 68mm x 53mm)
Top rod length for 36" x 84" doors	Top rod 43 1/4" (1100mm)
Top rod length for 48" x 96" doors	Top rod 53 1/16" (1350mm)
Vertical rod	1/2" (13mm) Round tubing

### Minimum Stile Requirements

Double Door-With Two Vertical Rod Type Exit Devices







# Alarm Exit Hardware



## Rim Type Exit Devices

- ALRM 9800 EO36 Alarm rim type 36" door ( panic grade )
- ALRM 9820 EO48 Alarm rim type 48" door ( panic grade )
- FALRM 9800 EO36 Alarm rim type 36" door ( fire grade )
- FALRM 9820 EO48 Alarm rim type 48" door ( fire grade )

## Vertical Rod Type Exit Devices

Prefix "Alrm" before part #.

## Features

Alarm units has an internal horn. When the push rail is depressed, the horn sounds to provide an audible means of signaling that the door has been opened and violated.

The unit has changeable 2 minute alarm cutoff or manual reset. Preset at factory for 2 minute alarm cut off. Jumper cable is provided to switch to continuous alarm.

The key switch to turn the alarm off is a standard 1¼" cylinder with "C" keyway. The alarm operates on one standard 9 volt transistor battery. When battery is weak the horn will emit an intermittent signal.

Alarmed units are supplied with two switches. One switch monitors the push rail and the other switch monitors the latchbolt for full proof security.

Unit includes " emergency exit only. Alarm will sound " decal for application on door or unit.

## Finishes

Cal-Royal	Description	BHMA	US Finish	Material
P	Primecoat	600	USP	Steel
3	Polished Brass, Clear Powder Coat	605	US3	Brass
4	Satin Brass, Clear Powder Coat	606	US4	Brass
9	Polished Bright Bronze	611	US9	Bronze
10	Satin Bronze Clear Powder Coat	612	US10	Bronze
10B	Oiled Rubbed Bronze	613	US10B	Bronze
26	Polished Bright Chrome	625	US26	Brass
26D	Satin Chrome	626	US26D	Brass
32	Polished Bright Stainless	628	US32	Stainless Steel
32D	Satin Stainless	630	US32D	Stainless Steel

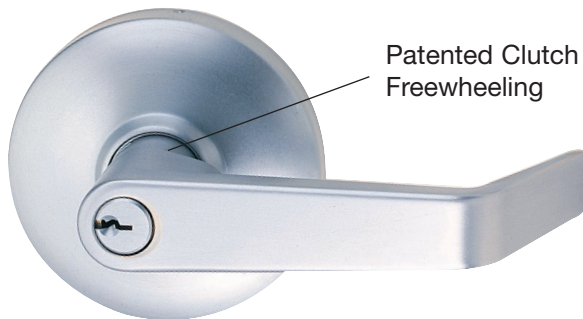


# Trim Selection

## LEVER DESIGN

Non handed Grade 1 (Clutch Style)  
 Cylindrical body hardened steel heavy duty tailpiece.  
 For 1<sup>3</sup>/<sub>4</sub>" and 2<sup>1</sup>/<sub>4</sub>" doors. Prefix **THI** before part # for  
 2<sup>1</sup>/<sub>4</sub>" door thickness. Available for fire and non fire  
 rated rim and vertical rod exit devices.  
 Rose diameter 3<sup>1</sup>/<sub>2</sub>", lever length 4<sup>3</sup>/<sub>4</sub>". Fits and covers  
 161 cutout.

Finishes: Architectural plated finishes. See page 5.



**ENT00L** OR  
**ICENT00L**

**ENTRANCE**  
 Key retracts latchbolt, unlocks lever.  
 operates as classroom function.  
 ANSI Function - 08

**STR05L** OR  
**ICSTR05L**

**STOREROOM**  
 Key operates lever, otherwise  
 always locked.  
 ANSI function - 04

**PAS30L**

**PASSAGE**  
 Trim always operable and free.  
 ANSI function - 15

**DUM40L**

**DUMMY**  
 Dummy trim. One sided.  
 ANSI function - 10

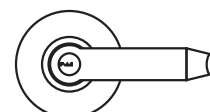
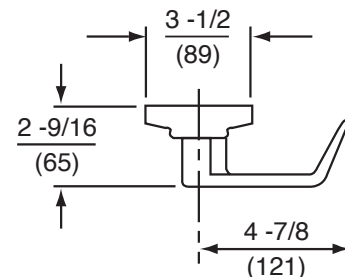
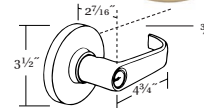
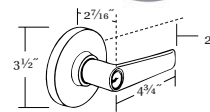
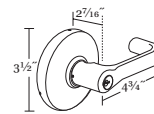
When ordering "AT" and "SPA" designs, prefix design name  
 before part #. Example: ENT00L in "AT" design is ATENT00L.

**KEYWAY:** Standard 6-pin "C" keyway. Also available in Schlage  
 C-K, Russwin D1, Corbin 60, Sargent LA, Falcon/Weiser E,  
 Arrow, Yale GA, Yale 8, Kwikset. Can also accept Medeco,  
 Assa, and Kaba high security cylinders.

### INTERCHANGEABLE CORE

Interchangeable core locks will accept compatible 6 or 7 pin  
 cores with BEST, FALCON and ARROW.

## Other lever trim designs





# Trim Selection ●●●●●●●●●●

## ESCUTCHEON LEVER DESIGN

### CONSTRUCTION

- Rigid, non clutch mechanism.
- Double heavy duty spring support to prevent sagging and enhance operation.
- Grade 1, thru-bolted design. Non-handed design. Easily field reversible.
- Hardened steel heavy duty tailpiece. Available for fire and non fire rated rim and vertical rod exit devices.

### DOOR THICKNESS

Standard 13/4". For 21/4" thick door use additional part# TAIL3.

### ESCUTCHEON DIMENSIONS

23/4" width X 101/4" length. Lever length: 43/4". Fits and covers 21/8" 161 cutout



**NESC9800 or**  
**● ICNESC9800**

### ENTRANCE

Rigid Entrance, key locks or unlocks escutcheon trim ANSI FUNCTION (63) Operates as classroom function

**NESC9805 or**  
**● ICNESC9805**

### STOREROOM

Rigid Storeroom, key retracts latchbolt, otherwise always unlocked ANSI FUNCTION (04)

**NESC9830**

### PASSAGE

Trim always operable and free ANSI FUNCTION (62)

**NESC9840**

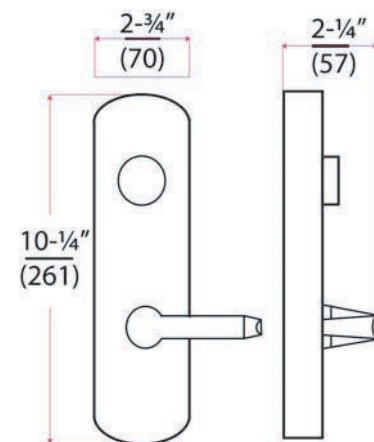
### DUMMY

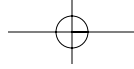
Dummy Escutcheon trim ANSI FUNCTION (10)

**KEYWAY:** Standard 6-pin "C" keyway. Also available in Schlage C-K, Russwin D1, Corbin 60, Sargent LA, Falcon/Weiser E, Arrow, Yale GA, Yale 8, Kwikset. Can also accept Medeco, Assa, and Kaba high security cylinders.

### ● INTERCHANGEABLE CORE

Interchangeable core locks will accept compatible 6 or 7 pin cores with BEST, FALCON and ARROW.





# Electrified Lever Trim.....



Cal-Royal's electrified lever trim provides remote locking and unlocking capabilities while incorporating the patented clutch trim design. The 24V DC solenoid can be energized from a distant controller, thus allowing access control of the opening.

The control of stairwells in high-rise buildings is a common application for this trim, where electric pullback of the exit device's latchbolt is cost prohibitive or not required. This is especially practical in applications where fire/life safety codes require a "fail-safe" condition which is not an option with electrified latch pullback devices. Because the current draw is quite low there is no need for a more expensive power supply to provide the surge current.

**Features**

- Continuous duty solenoids used to insure trouble-free operation
- Internally mounted solenoid to ease installation (no special door prep required)
- No hassle 3-Year Warranty

**Options**

- Available Fail Safe (electrically locked) or Fail Secure (Electrically Unlocked)
- Voltage options – 12V or 24V (AC/DC)
- Request to Enter Switch (REE) available
- CRU2 – Current Reduction Unit to improve solenoid life in "continuously on" applications

**Specifications**

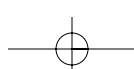
Solenoid..... Continuous Duty 24VDC  
 Operating Voltage..... 12 or 24VAC/DC + OR – 10% (must specify 12 or 24 volts when ordering)  
 Amperage..... 260mA@12V / 160mA@24V  
 Coil Resistance..... 12V=49Ω / 24V=159Ω

**To order, Specify:**

OPTIONS: FAIL SAFE (FS)  
 FAIL SECURE (FSE)



ITEM#	DESCRIPTION
FS 12 ESC TRIM	<b>FS12</b> FAIL-SAFE OPTION 12V AC/DC
FS 24 ESC TRIM	<b>FS24</b> FAIL-SAFE OPTION 24V AC/DC
FSE 12 ESC TRIM	<b>FSE12</b> FAIL-SECURE OPTION 12V AC/DC
FSE 24 ESC TRIM	<b>FSE24</b> FAIL-SECURE OPTION 24V AC/DC







# Trim Selection

## PULL DESIGN

9800 NL OR  
IC9800NL

### FOR RIM DEVICES ONLY

Outside by pull and key.  
Key retracts latchbolt.  
ANSI function - 03  
Covers 161 cutout.



9800 DTP

Outside by pull only.  
Pull when dogged.  
ANSI function - 02  
Covers 161 cutout.



9800 EOP

Outside by plate only.  
ANSI function - 10  
Covers 161 cutout.



### FINISHES

Architectural plated finishes.  
See page 5

## THUMBPIECE TRIM

(OPERATES ON RIM & VERTICAL ROD DEVICES)

98TP00 OR  
IC98TP00

### ENTRANCE

Key locks or unlocks thumbpiece.  
ANSI Function - 63

98TP05 OR  
IC98TP05

### STOREROOM

Key retracts latchbolt, otherwise  
always locked.  
ANSI function - 04

98TP30

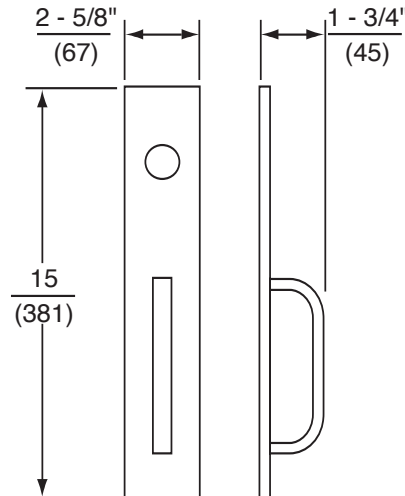
### PASSAGE

Trim always operable and free.  
ANSI function - 62

98TP40

### DUMMY

Dummy trim. One sided.  
ANSI function - 10



**KEYWAY:** Standard 6-pin "C" keyway. Also available in Schlage C-K, Russwin D1, Corbin 60, Sargent LA, Falcon/Weiser E, Arrow, Yale GA, Yale 8, Kwikset. Can also accept Medeco, Assa, and Kaba high security cylinders.

### INTERCHANGEABLE CORE

Interchangeable core locks will accept compatible 6 or 7 pin cores with BEST, FALCON and ARROW.

### FINISHES

Architectural plated finishes. See page 5

### DOOR THICKNESS

Standard 1 3/4". For 2 1/4" thick door use additional part # tail 3.



## (ELR)Electrical Latch Retraction . . . . .

Our electrified latch pullback exit device allows for remote keyless access control in high occupancy/high traffic conditions where exit devices are required. Common applications include conditions such as hospitals, airports, schools, churches and they are commonly specified in applications that require automatic door openers. The device may be continuously energized allowing for a push/pull condition if desired.

**Features:**

- Available on 9800 & 2200 Series, including rim, vertical rod, concealed vertical rod, fire and non fire-rated devices.
- High-performance quality solenoids designed for demanding applications
- The PM200\* interface power module (included) is programmed to meet the requirements of the specific exit device modification. It maximizes the efficiency and life of the solenoid, allows for a much longer wire run and may be used with 24VDC power supplies rated at 1.5A or greater
- Dual coil solenoids, or PWM programming, allow for either momentary or extended time latch retraction
- No hassle 3-Year Warranty

**Specifications**

- Voltage – 24VDC
- Amperage – Surge current – 12A for 200ms@24V / Holding – 250mA@24V
- Coil resistance – 3.7Ω

**To order, specify:**

- Prefix **ELR** before PART#

## Signal Switch RX and LX . . . . .

**RX** (request to exit) signal switch is used to signal the use of an opening from the push side. When the push pad is depressed, the switch is activated. These devices are equipped with an internal SPDT (single pole double throw) switch that monitors the touch bar.

**LX** (latchbolt monitoring) signal switch monitors both egress and access of an opening. When the latchbolt is retracted, the switch is activated. These devices are equipped with an internal SPDT (single pole double throw) switch that monitors the latchbolt position.

**LX** and **RX** switches can be combined.

**LX, RX** switches can be used in combination with **EL** (electric latch retraction) option.

**Specifications**

**RX** or **LX**..... Switch rated 0.5 amperes @ 24VAC/DC resistive  
 Low current **RX** or **LX**..... Switch rated 0.5 amperes @ 24VAC/DC resistive

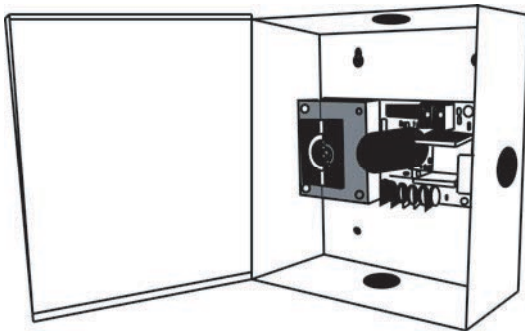
For Factory Installed:

**To Order, Specify:**

Prefix: - **RX**..... Request to Exit  
           **LX**..... Latchbolt Monitoring  
           **LXRX**..... Latchbolt Monitoring/Request to Exit Combination



# POWER SUPPLIES FOR ELECTRIFIED EXIT DEVICES.....



**CRPS1N**

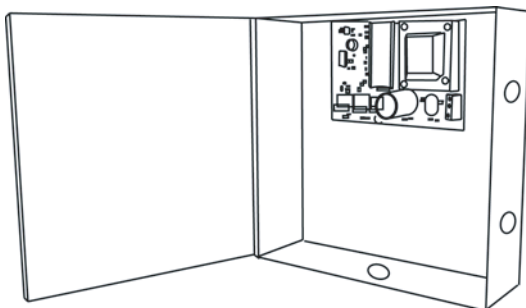
The CRPS1N is a heavy duty, high quality, low cost solution for powering a single latch retracting exit device. The solid state design insures years of trouble-free operation. The power supply delivers raw, unregulated DC current which is ideal for the extreme in-rush requirement of most solenoid driven electric latch retracting exit devices. The power supply comes housed in a sturdy, yet compact metal enclosure.

**Features:**

- Power supply delivers the necessary high current in-rush for a single exit device
- Solid-state design eliminates problems associated with mechanical relays
- Single input/output
- No hassle 3-Year Warranty

**Specifications:**

- Input voltage – 110 VAC
- Output voltage – 24 VDC unregulated @ 2.3A
- Temperature range – 0 to 120F
- 1 Solid-State input/output (input triggered by dry contact)
- LEDs – RED = Power indicator / GREEN = Channel on
- Enclosure dimensions: 7" X 8" X 3.5"



**CRPS2  
CRPS2BB**

The CRPS2 Series power supplies are high quality, cost effective solution for powering two electric latch-retracting exit devices. These power supplies provide the necessary surge current that most latch-retracting exit devices require. The CRPS2 Series offers features found on power supplies costing much more; and the solid-state design and careful attention to detail make the CRPS2 Series ideal choice for the discerning user who requires a power supply that can offer years of trouble-free operation.

**Features:**

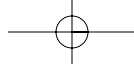
- Delivers the necessary in-rush current to power two latch pullback exit devices.
- Two independent inputs/outputs
- Solid-state design eliminates mechanical problems associated with relays
- Thermal overload sensing reduces risk of failure due to overheating
- Fire alarm disconnect link
- Inputs triggered by dry contact
- Intelligent short circuit detection detects shorts much faster than fuses and isolates the short to the individual output
- Removable Euro-style terminal blocks allow for easy installation
- UL Pending at time of print
- No hassle 3-Year Warranty

**Additional Features (CRPS2BB Only):**

- Efficient battery backup/charging circuitry with zero voltage drop at power loss
- Solid state reverse polarity protection for battery connections
- Audible alert when sensing AC power failure & low battery (batteries not included)

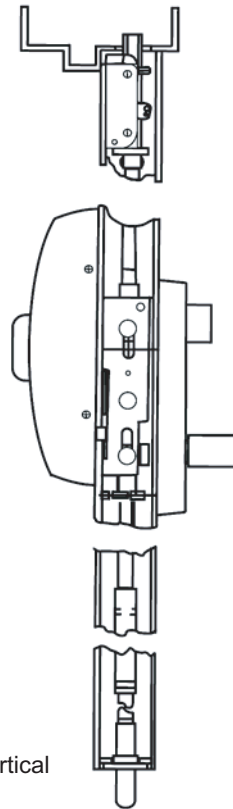
**Specifications:**

- Input Voltage – 120 VAC
- Output Voltage – 24 VDC unregulated @ 2.3A
- Temperature Range – 0 to 120 F
- 1 Solid-State input/output (input triggered by dry contact)
- LEDs – Red = Power indicator / GREEN = Channel on
- Enclosure dimensions: 7" X 8" X 3.5"



# MCVR9800 Series Exit Devices

## Grade 1 Concealed Vertical Rod Exit Device For Metal Doors

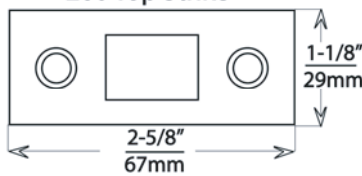


### Specifications

For Doors.....	Metal. 1 <sup>3</sup> / <sub>4</sub> " (44.5mm) minimum thickness 4 <sup>1</sup> / <sub>2</sub> " (114mm) minimum stile width
Chassis.....	Nonferrous alloy
Chassis Cover.....	Bronze or stainless steel
Mounting.....	Furnished standard with machine screws
End Cap.....	Brass, bronze or stainless Steel Construction
Hand.....	Easily field reversible. Specify at time of order LHRB, RHRB for convenience
ANSI Standard.....	A156.3, Grade 1
Strikes.....	260 top and 265 bottom
Top and Bottom Bolts.....	Stainless steel. Top and bottom bolt travel 7/16" (11mm) Projection adjustable up to 1" (25mm)
Fire Exit hardware.....	W9800 Series for fire exit hardware for all types of 8' x 8' Double doors for up to 3 hour fire labeled installations, conforms to standards UL10C and UBC 7-2-1997 codes
Rail Height.....	Specify door opening and mounting height of center line of rail when ordering an vertical Rod Exit Device 41" from floor
Trim.....	See Trim Designs section
Electric Functions.....	(ELR) Electrical Latch Retraction and RX & LX Signal Switch available
Door Size.....	M98CVR 3684 for 36" X 84" doors. Other sizes available on request M98CVR 3696 for 36" X 96" doors

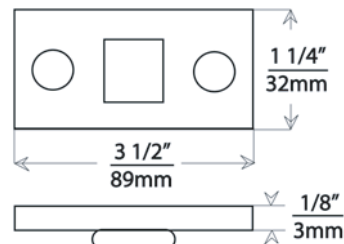


260 Top Strike

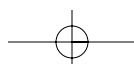


- ◆ For applications metal frames
- ◆ Stainless Steel

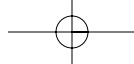
265 Bottom Strike



- ◆ Furnished with expansion shields
- ◆ Mortised into floor
- ◆ Stainless Steel







# WCVR9800 Series Exit Devices

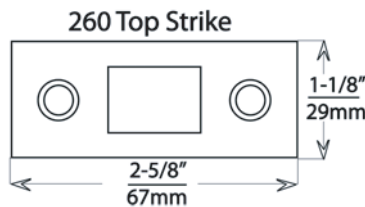
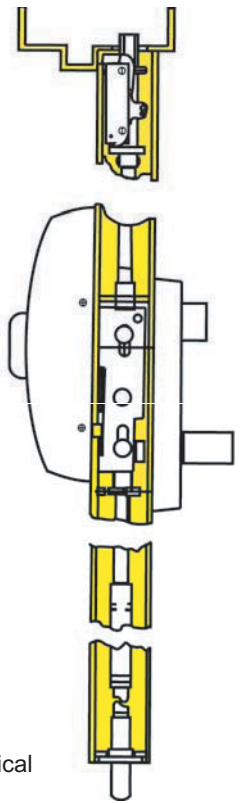


## Grade 1 Concealed Vertical Rod Exit Device For Wood Doors

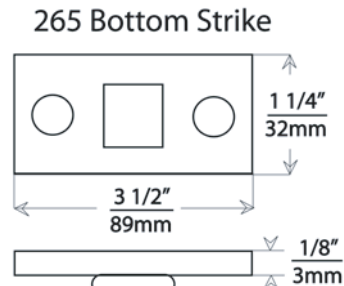


### Specifications

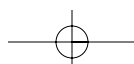
For Doors.....	Wood. 1 <sup>3</sup> / <sub>4</sub> " (44.5mm) minimum thickness 4 <sup>1</sup> / <sub>2</sub> " (114mm) minimum stile width
Chassis.....	Nonferrous alloy
Chassis Cover.....	Bronze or stainless steel
Mounting.....	Furnished standard with wood screws
End Cap.....	Brass, bronze or stainless Steel Construction
Hand.....	Easily field reversible. Specify at time of order LHRB, RHRB for convenience
ANSI Standard.....	A156.3, Grade 1
Strikes.....	260 top and 265 bottom
Top and Bottom Bolts.....	Stainless steel. Top and bottom bolt travel 7/16" (11mm) Projection adjustable up to 1" (25mm)
Fire Exit hardware.....	W9800 Series for fire exit hardware for all types of 8' x 8' Double doors for up to 3 hour fire labeled installations, conforms to standards UL10C and UBC 7-2-1997 codes
Rail Height.....	Specify door opening and mounting height of center line of rail when ordering an vertical Rod Exit Device 41" from floor
Trim.....	See Trim Designs section
Electric Functions.....	(ELR) Electrical Latch Retraction and RX & LX Signal Switch available
Door Size.....	W98CVR 3684 for 36" X 84" doors. Other sizes available on request W98CVR 3696 for 36" X 96" doors



- ◆ For applications metal frames
- ◆ Stainless Steel



- ◆ Furnished with expansion shields
- ◆ Mortised into floor
- ◆ Stainless Steel





# MCVR9800 / WCVR9800

Concealed Vertical Rod Exit Device For Wood & Metal Doors

## Trim Selection.....

### ESCUTCHEON LEVER DESIGN

#### CONSTRUCTION

Grade 1, thrubolted design, clutch freewheeling. Non handed design. Easily field reversible.  
 Hardened steel heavy duty tailpiece. Available for fire rated concealed vertical rod exit devices.

#### FINISHES

Architectural plated finishes.

#### DOOR THICKNESS

Standard 1 7/8".

#### ESCUTCHEON DIMENSIONS

2 5/16" width X 8 1/2" length. Lever length: 4 3/4". Fits and covers 2 1/8" 161 cutout



**CLUTCH FREEWHEELING**

**CVRESC9800 or ICCVRESC9800**

#### ENTRANCE

Clutch Mechanism  
 Key locks or unlocks lever.)  
 operates as classroom function  
 ANSI function - 63

**CVRESC9800 or ICCVRESC9800**

#### STOREROOM

Clutch Mechanism  
 Key retracts latchbolt, otherwise  
 Always locked  
 ANSI function - 04

**CVRESC9830**

#### PASSAGE

Trim always operable and free.  
 ANSI function - 62

**CVRESC9840**

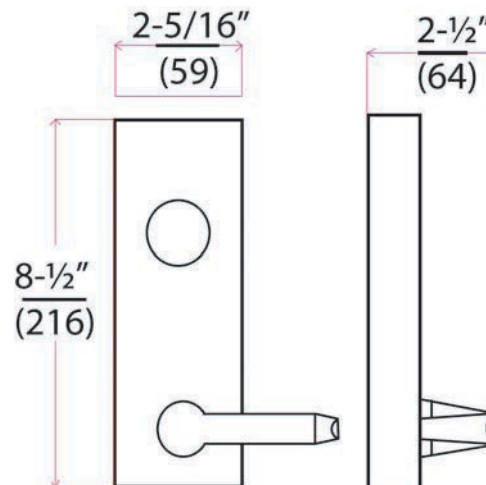
#### DUMMY

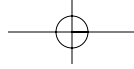
Dummy trim. One sided  
 ANSI function - 10

**KEYWAY:** Standard 6-pin "C" keyway. Also available in Schlage, C-K, Russwin D1, Corbin 60, Sargent LA, Falcon/Weiser E, Arrow, Yale GA, Yale 8, Kwikset. Can also accept Medeco, Assa, and Kaba high security cylinders.

**INTERCHANGEABLE CORE**

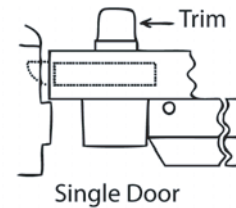
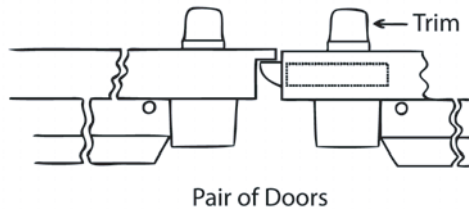
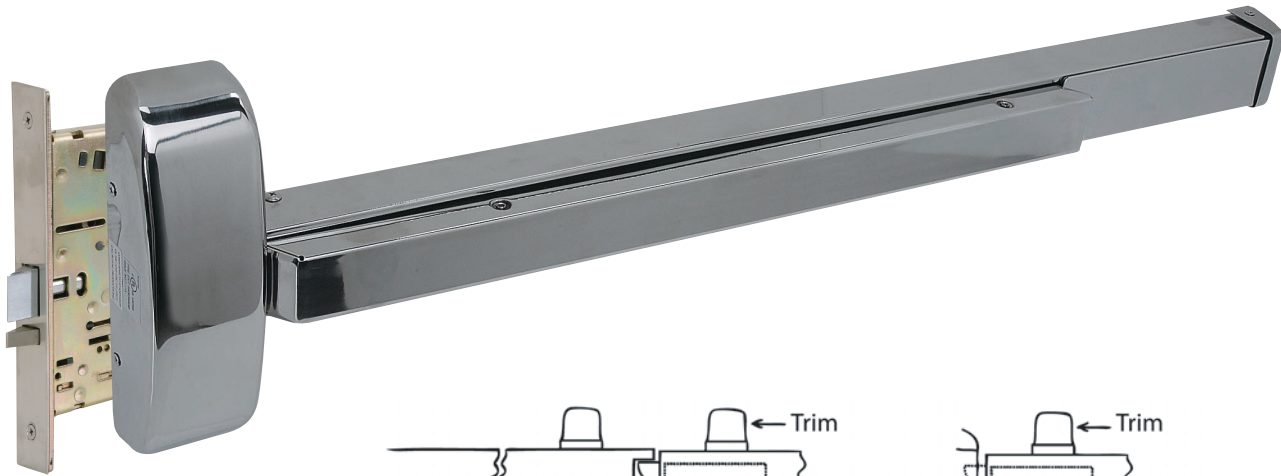
Interchangeable core locks will accept compatible 6 or 7 pin cores with BEST, FALCON and ARROM.





# MR9800 Series Exit Devices..

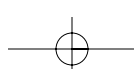
## Grade (1) Mortise Lock Exit Device



### Specifications

For Doors.....	Wood / metal. 13/4" (44.5mm) minimum thickness 4 1/2" (114mm) minimum stile width
Chassis.....	Nonferrous alloy.
Chassis Cover.....	Bronze or stainless steel
End Cap.....	Brass, bronze or stainless Steel Construction
Handing.....	Non-Handed. Specify RHR or LHR for convenience
ANSI Standard.....	A156.3, Grade 1
Mounting.....	Furnished standard with wood and machine screws
Strikes.....	Standard ANSI strike
Mortise Lock.....	Grade (1) for 1-3/4" (44.5mm) thick doors. Reversible. Fits door prepared for ANSI Standard A115.1
Fire Exit hardware.....	MR9800 Series for fire exit hardware for all types of 8' x 8' double doors for up to 3 hour fire labeled installations, conforms to standards UL10C and UBC 7-2-1997 codes
Trim.....	See Trim Designs section
Electric Functions.....	(ELR) Electrical Latch Retraction and RX & LX Signal Switch available
Door Size.....	MR9800EO36 for 36" doors MR9800EO48 for 48" doors

Lifetime Warranty







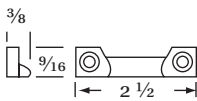


# Strikes & Accessories

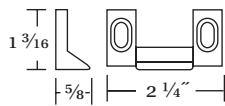
## Strikes for use with 9860 vertical rod exit device

All strikes are black nylon coated

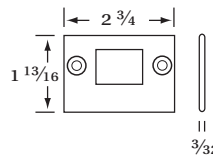
**221**  
Standard for 9860.  
Applied to surface of floor or to a flat threshold.  
Standard packaging.



**227**  
Applied to surface of stop.  
No mortise required.  
Standard packaging.

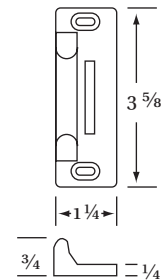


**233**  
Bottom strike. Alternate bottom Strike. Flush mounting stainless steel. Furnished with expansion shields. Requires mortise in the floor.

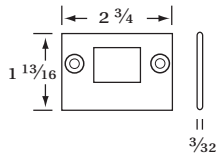


## Strike for use with 9800 rim type exit device

**239**  
For 9800 surface applied.  
Standard packaging.

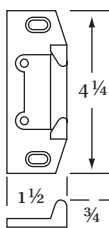


**RIM 238**  
Strike for 2 3/8" Backset Application

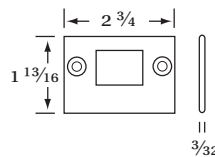


## Strikes for use with F9860 vertical rod fire rated exit device

**245**  
Surface applied for F9860.  
Standard packaging.

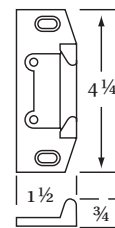


**233**  
Bottom strike for F9860.  
Flush mounting stainless steel. Furnished with expansion shields. Requires mortise in the floor.  
Standard packaging.



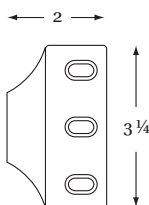
## Strike for use with F9800 rim fire exit device

**245**  
For F9800 surface applied,  
Standard packaging.



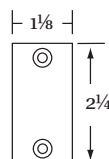
## Overlapping Strike

**251**  
Surface applied. Used on inactive leaf for device on active leaf of pair of doors without mullion.

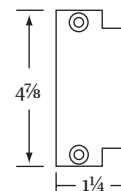


## Additional strikes

**LFF**  
Lock front filler.



**SF**  
Strike filler.

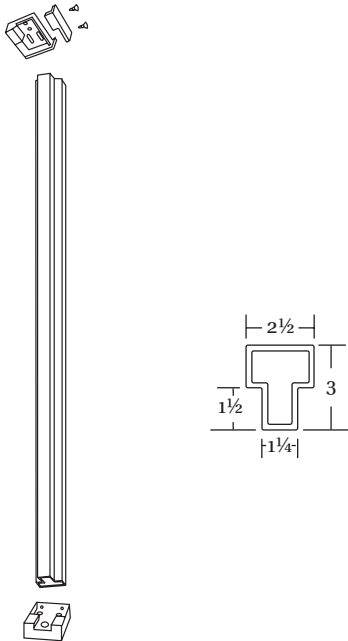




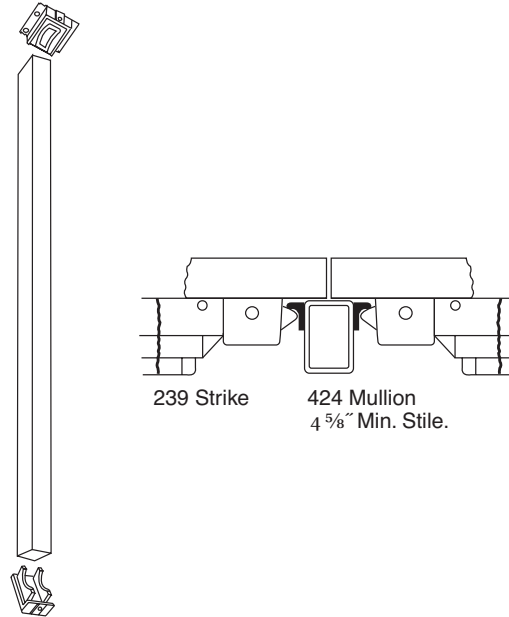
# Accessories

## Mullions

**418** - Removable mullion Aluminum painted ( Prime coat ) includes top and bottom retainer supplied as a stock 96" for non fire rated applications.



**424** - Fire exit mullion. 2" x 3" steel tubing round corner, iron construction with iron top and bottom retainers. To be used with two rim type devices on two independent active doors with full double door openings.



Lockable and electric lockable mullions are available on request.

## Additional Rods

Vertical rod for 10 feet high doors available on non fire rated vertical rod devices only. Use part # **VRRD-10**.

## GLASS BEAD SHIM KITS

801 - For rim type, 1/8" thick

806 - For vertical type, 1/8" thick

812 - For fire rated vertical type, 1/8" thick

When exit devices are used with shim kits with outside trim, spindle length thumbpiece and thru bolt length must be increased accordingly.

## CYLINDER DOGGING KITS



Prefix "CD" before part#. Available for all 9800 Series devices except fire exit hardware. Cylinder dogging with a mortise cylinder is located on the mounting insert locks bolt in retracted position. 27" minimum door width is required.

To order kit only use part# 36CYLD9800 for 36" and 48CYLD9800 for 48" devices. Specify finish.



# Fire Exit Hardware Selector

FIRE EXIT HARDWARE			UL FIRE DOOR RATING
APPLICATION	MODEL NUMBER	MAXIMUM DOOR OPENING	( A ) 3 HOUR
<b>SINGLE DOORS</b> Rim type	F9800EO36 F9820EO48	4'0" X 8'0"	✓
<b>PAIRS OF DOORS</b> Two surface mounted standard vertical rod type or less bottom rod (LBR) application. Prefix <b>LBR</b> before Part#  a) Swinging in same direction b) Swinging in opposite direction ( double egress )	F9860V3684 X F9860V3684	8'0" X 7'2"	✓
	F9890V3696 X F9890V3696	8'0" X 8'0"	✓
	F9880V4896 X F9880V4896		
<b>PAIRS OF DOORS</b> Two rim type with Mullion	F9800EO36 F9820EO48	8'0" X 8'0"	✓

All fire rated exit devices in all applications, are also labeled for (B) 1½ hour, (C) ¾ hour, (D) 1 hour, (E) ¾ hour. All fire exit hardware meet UL10C and UBC 7-2-1997 codes.

## HOW TO ORDER INFORMATION

### Exit device model number

#### Panic grade

9800 E036 Rim type 36" door  
 9820 E048 Rim type 48" door  
 9860 V3684 Vertical rod type 36" x 84"  
 9890 V3696 Vertical rod type 36" x 96"  
 9880 V4896 Vertical rod type 48" x 96"  
 9850 V36120 Vertical rod type 36" x 120"  
 9840 V48120 Vertical rod type 48" x 120"

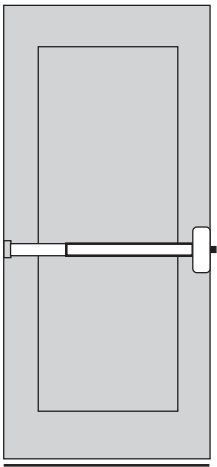
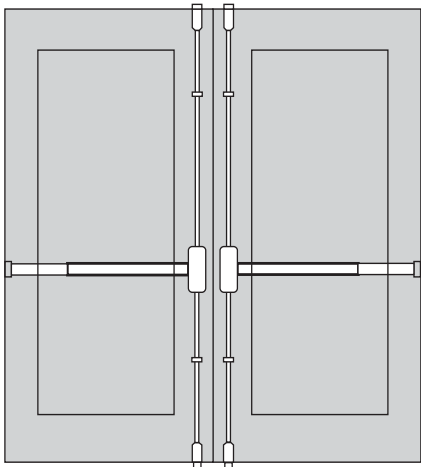
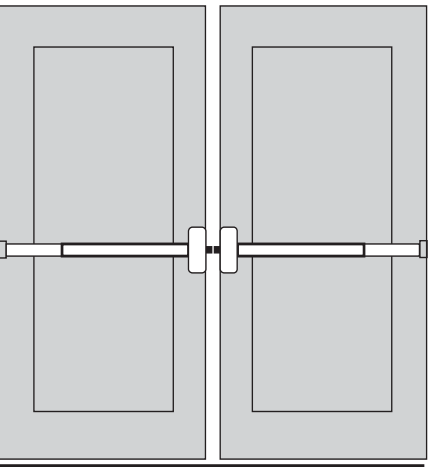
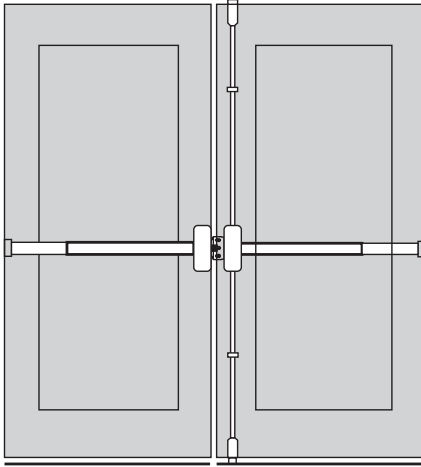
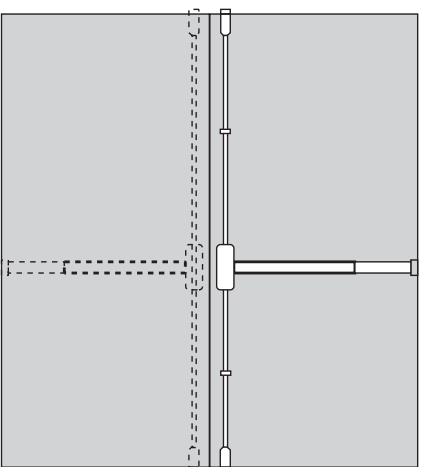
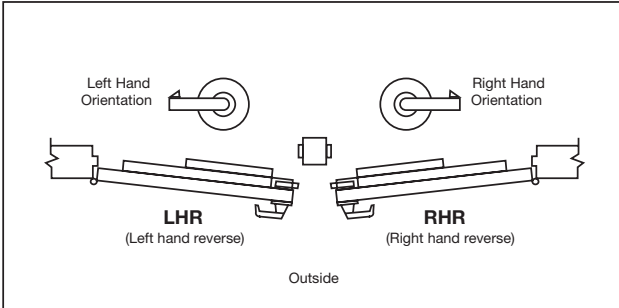
#### Fire grade

F9800 E036 Rim type 36" door  
 F9820 E048 Rim type 48" door  
 F9860 V3684 Vertical rod type 36" x 84"  
 F9890 V3696 Vertical rod type 36" x 96"  
 F9880 V4896 Vertical rod type 48" x 96"

- 1] Specify exit device model number according to size of door.
- 2] Specify trim selection. For interchangeable core prefix "IC" before part #. See page 3.
- 3] For vertical rod devices specify LHR (Left Hand Reverse ) or RHR ( Right Hand Reverse ) for convenience easily field reversible, otherwise shipped as LHR.
- 4] Specify finish:  
 US3,4,9,10,10B,26,26D,32,32D. See Page 5.
- 5] On thru bolt applications, fire rated vertical rod devices are packed with thru bolts as standard feature. Thru bolts are also available for other devices. To order thru bolts add "SBN" to trim pack.  
 When ordering separately use following part#  
 Cal-Royal part # 357 — Thru bolts for rim devices, 6 PCs / pack.  
 Cal-Royal part # 369 — Thru bolts for vertical rod devices, 14 PCs / pack.  
 Cal-Royal part # 363 — Thru bolts for rim devices, 6 PCs / pack for 2¼" thick doors.  
 Cal-Royal part # 375 — Thru bolts for vertical rod devices, 14 PCs / pack for 2¼" thick doors.  
**Ordering example:** 9800E036 ALUM X SBN X ENTOOL 26D  
 F9880V4896 DURO X ICSTRO5L 10B

# 9800 & F9800 Rim Type Panic And Fire Exit Devices 9860 & F9860 Vertical Rod Panic And Fire Exit Devices ANSI A156.3 Grade 1

## Selector Chart

<p style="text-align: center;"><b>SINGLE DOOR</b></p>  <p><b>Vertical rod type or Rim type</b>      Surface applied 2 point lock. Surface application.</p>	<p style="text-align: center;"><b>PAIRS OF DOORS WITHOUT MULLION</b></p>  <p><b>2 Vertical rod type</b>      Surface applied 2 point locking both doors. Each door active same direction. Do not use with overlapping astragal.</p>
<p style="text-align: center;"><b>PAIRS OF DOORS WITH MULLION</b></p>  <p><b>2 Rim type with mullion</b>      Two independent active doors with full double door openings when required. Same direction.</p>	<p style="text-align: center;"><b>PAIRS OF DOORS WITHOUT MULLION</b></p>  <p><b>1 Vertical rod and 1 rim type</b>      Both devices are surface applied. A coordinator and overlapping strike is recommended.</p>
<p style="text-align: center;"><b>PAIRS OF DOORS WITHOUT MULLION</b></p>  <p><b>2 Vertical rod type</b>      Double egress surface applied. 2 point locking both doors opposite directions.</p>	<p style="text-align: center;"><b>HANDING</b></p>  <p style="text-align: center;"><b>LHR</b> (Left hand reverse)      <b>RHR</b> (Right hand reverse)</p> <p style="text-align: center;">Outside</p>

**CAL-ROYAL PRODUCTS, INC.**  
6605 FLOTILLA ST., COMMERCE, CA 90040 U.S.A.  
TEL: (323) 888-6601 FAX: (323) 888-6699  
Website: cal-royal.com • Email: sales@cal-royal.com