

# Mortise Locks - For Aluminum Stile Doors

## Heavy Duty Deadlatch - 452 Series

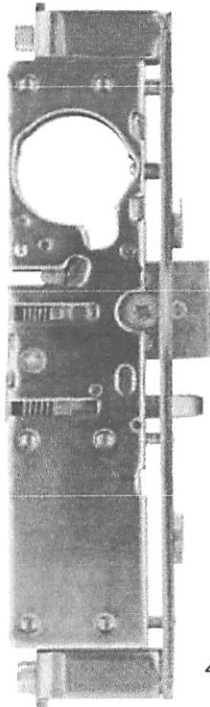
Interchangeable with the 185 Series Deadbolts and 451 Series Deadlatch.

Backsets: 1 1/8" (28.58 mm)

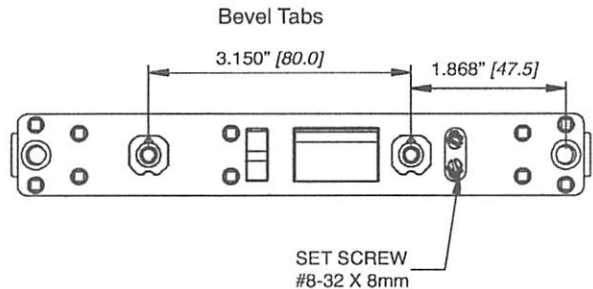
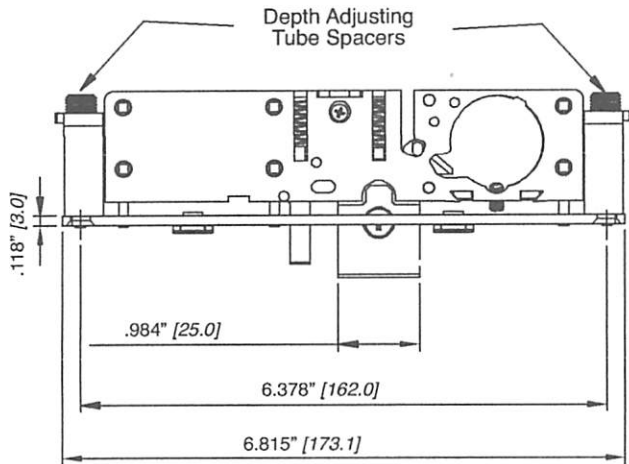
Case: Steel with corrosion resistant plating

Latchbolt: 5/8"W x 1 1/2"L (15.88 mm x 38.1 mm), field reversible handing

- Steel case with corrosion resistant plating
- Auxiliary latchbolt feature prevents "loiding" or jimmying
- Accepts standard 1 1/2" (29.36 mm) diameter mortise cylinder
- Handing is easily reversible using only a screwdriver without the need to reassemble springs
- Aluminum faceplate measures 1"x 6 7/8" (25.4 mm x 174.63 mm)
- Available with one or two faceplates. Also available individually packaged without faceplates
- Bevel tab feature provides adjustment of flat faceplates to either left or right hand bevel
- Depth adjusting tube spacers provides for precise installation
- Cycle testing exceeds ANSI Grade 1 standards



452



### How To Order Example

**452 - F - 2LH - 2 01 - 628**

**A B C D E F G**

**A Lock Series** Add 628/313 following strike shape for 2 faceplates. Example: 451-F-2LH-201-628/313  
Add IP following handing designation for Individually packaged items without faceplate and strike. Example: 451-2LH-IP (Left hand 31/32" (24.61 mm) backset deadlatch)

**B Faceplate** F = Flat R = Radius  
(see drawing above) B = Bevel RW = Radius w/Weather Strip  
\* 452 Series does not use bevelled faceplates

**C Backset** 2 = 31/32" (24.61 mm)  
3 = 1 1/8" (28.58 mm)  
4 = 1 1/2" (38.1 mm)  
\* 452 Series is offered in 1 1/8" (28.58 mm) only

**D Handing** LH = Left Hand/Right Hand Reverse  
RH = Right Hand/Left Hand Reverse

**E Strike Size** 1 = 4.63 (117.6 mm)  
2 = 2.63 (66.8 mm)

**F Strike Shape/ Lip Length** 01 = Flat Standard Jamb  
02 = Radius/Standard Stile  
17 = Flat/Center hung 4.0" (101.6 mm) Jamb  
21 = Flat/Center hung 4.5" (114.3 mm) Jamb  
\* To order without strike, exclude "E & F"

**G Finish** 628 = Aluminum  
313 = Dark Bronze  
335 = Black  
628/313 = Both Faceplates included of the same type