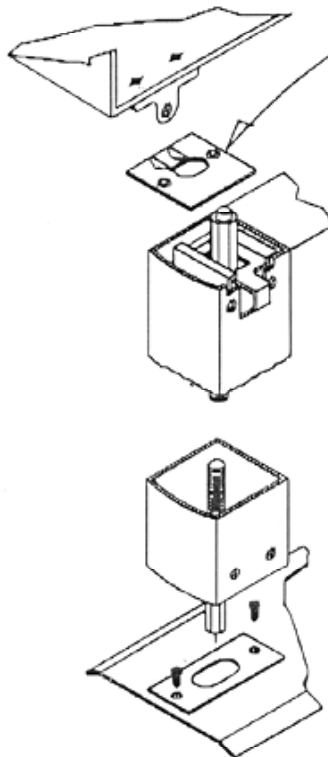




3447 Union Pacific Ave. Los Angeles, California 90023

TECH REVIEW

Jackson "Hump Back" strike



Q) *Why is my Top Bolt crashing against the header? Why is my Bottom Bolt dragging?*

A)

1) *The Jackson Hump Back top Strike is not installed.*

2) *One or both bolts are not projecting $7/16$ " - $1/2$ " above or below the door.*

3) *There is too much of a gap between the door and header. (Standard is $1/8$ ")*

ORDER

Strike package No. 30-1084 - Finish

Order Online: <http://www.mrlock.com>

Closers, Panics, Pivots Mullions, & Astragals

MADE IN THE USA