



Application

The 2015 Series lock is a fully mechanical pushbutton access control with no electrical wiring, electronics, or batteries. This lock is designed to operate surface mounted exit devices (not supplied) from the outside using a tailpiece, replacing the key cylinder on new or existing devices. Any standard pull can be mounted with the 2015 Series. Exterior access is by combination. Egress is by interior exit device and is free at all times.

The lock can be used with many leading brands of surface-mounted (rim-mounted) exit devices; however, the 2015 Series cannot be used with surface-mounted exit devices with counterclockwise rotating hubs or with thumb-operated, mortise design, or most vertical rod exit devices. The exit device can be "dogged" open without affecting the operation of the lock.

Designed for high-frequency use and indoor or outdoor applications.

The pushbutton design eliminates problems associated with the issue, control, and collection of keys and magnetic cards. The combination can be quickly and easily changed to ensure continued maximum security once employees, tenants, or guests leave, saving the cost of new keys, key cylinders, magnetic cards, and card-encoding devices.

Features

Operation: Depress the buttons in the correct sequence and rotate thumbturn to retract latch.

Thousands of possible combinations: Authorized individuals can change the combination in seconds. One or all five buttons can be used in the combination with two or more buttons depressed simultaneously.

Rugged & weather resistant: The lock is weartested for intensive use.

Combination change: By key cylinder on front housing.

Includes: Installation instructions, full-scale template, combination change keys.

Specifications

Construction: Highly weather resistant; all metal; cast front housing

Strike: Not supplied

Latch & Exit Device: Not supplied

Door thickness: 1 3/8" (35 mm) to 2 1/2" (64 mm); optional 4" (102 mm)

Installation: Based on center line of mating exit device hub; 3" (76 mm) minimum stile required

Door handing: For non-handed or clockwise-rotating (up to 90°) exit device hubs only

Tailpiece: 2 3/4" (70 mm) adjustable tailpiece for exit device operation from outside; optional 5" (127 mm) adjustable tailpiece

Exit device rotation: Up to 90° clockwise for right hand (adjustable cam)

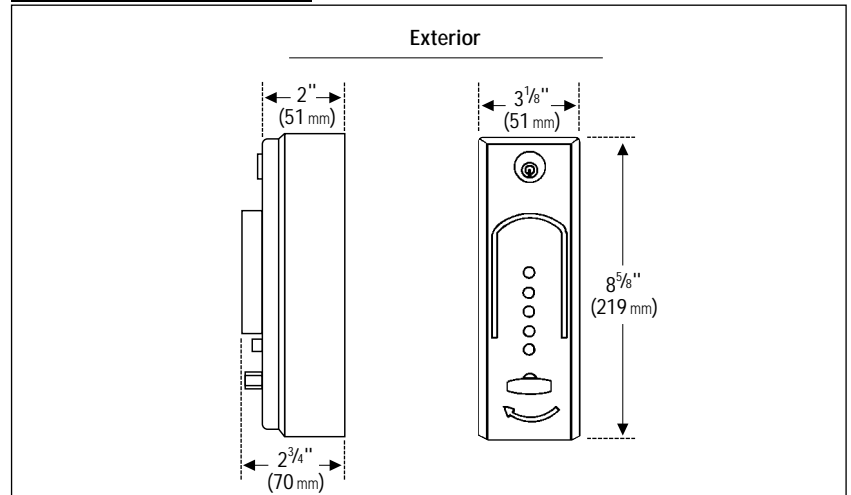
Exit device compatibility:
 Adams Rite 3700 Rim, 8800 Rim, 8700 Rim;
 American Device 6300 Series, 6303 Series; Corbin 21, 22, 25, 26NT, 27K, 29, 29-1/4, 29M2, 291/2M2, 29NTM2, 29D20, LA29, 39, 39EL, 39LLD, 39O, LA39; Detex Advantex Series 10, 20, 21, 40, 50, 51;
 Magno Krom LHR only: 500-4, 550-4, 650-4, 1500-4, 1550-4, 1650-4; RHR only: 600-3;
 Monarch 18RBA, 18RP, 18VP, F18RBA, F18RP, F18VP, FXXRBA, FXXRP, FXXVP, XXRBA, XXRP, XXVP; Precision Hardware FL-D103; RHR only 810-H; RH or LH: 103, R103, D203, H-203, 1103, D1203, H1203; Russwin 365, 3651/4, LT365, 370, 372, LA372, 375, LT375, 377, 382, 384, 385, 388, 572, 572EL, 572ELD, U572, LA572; Sargent 2813, 2804, 6804, 12-6804, 9804RHRB, 12-9804LHRB, 9898E, 9898K; Von Duprin 22 Rim, 22 Rim-F, 88 Rim, 88 Rim-F, 98 Rim, 98 Rim-F, 99 Rim, 99 Rim-F; 2227, 2227-F, 9827, 9827-F, 9847, 9847-F, 9927-F, 9947-F; Yale 1500 Series, 7000 Series

Control: 6-pin tumbler cylinder keys for combination change; keyed differently; optional keyed alike or master keyed

Finishes: 26D (626) Satin Chrome

Weight: 3.5 lb. (1.6 kg)

Dimensions



Ordering Information

Example

Model 2015 with Satin Chrome finish, packaged 1 per box.



Build the part number with the features you require:



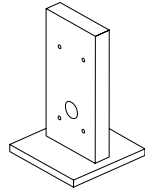
Model	Description
2015-26D-41	2015 Series exit device control

Finish	Description
26D	Satin Chrome (626)

Packaging	Description
41	1 per box

Accessories

Product Demonstration Mounts

Part Number	Description	
204087	LP1000 Series hardwood product demonstration mount; packaged 1 per box	
204096	2015 Series hardwood product demonstration mount; packaged 1 per box	