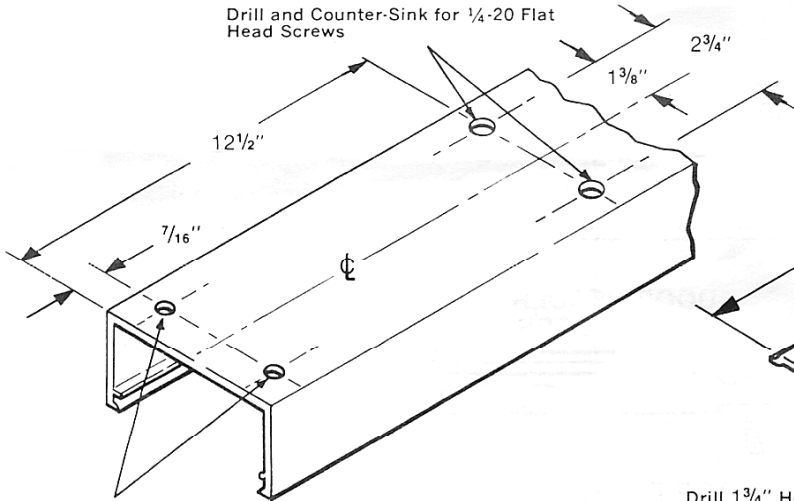


HEADERS & JAMBS

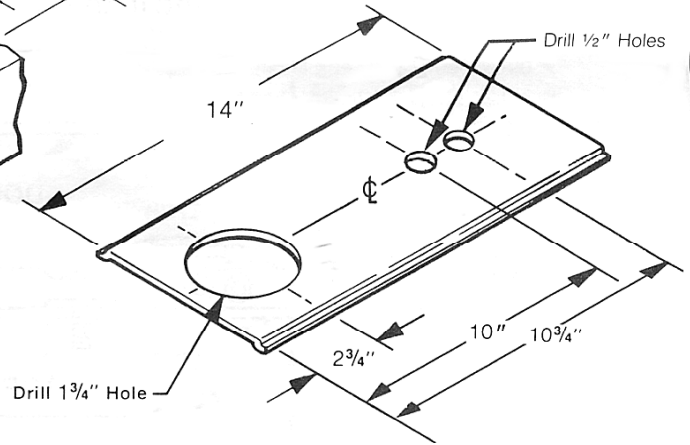
DOOR HEADER

Drill and counter sink outside top surface for 10-32 x 3/8" and 1/4-20 x 1 1/4" flat head screws as shown.



COVER PLATE

Drill 1 3/4" and 1/2" holes as shown.



HINGE JAMB

Drill holes for 8-32 x 1/2" pan head self-threading screws as shown.

Install anchor using 8-32 x 1/2" pan head self-threading screws.

Mount door header on anchor using 10-32 x 3/8" flat head self-threading screws.

