

DICTATOR Door Closer R 1400

for unobtrusive mounting under the frame on the closing face of the door, with adjustable hydraulics

DICTATOR hydraulic door closer have a progressive braking action, so they damp and slow the door down gently and smoothly, they pull the door into the latch firmly and keep the door closed reliably.

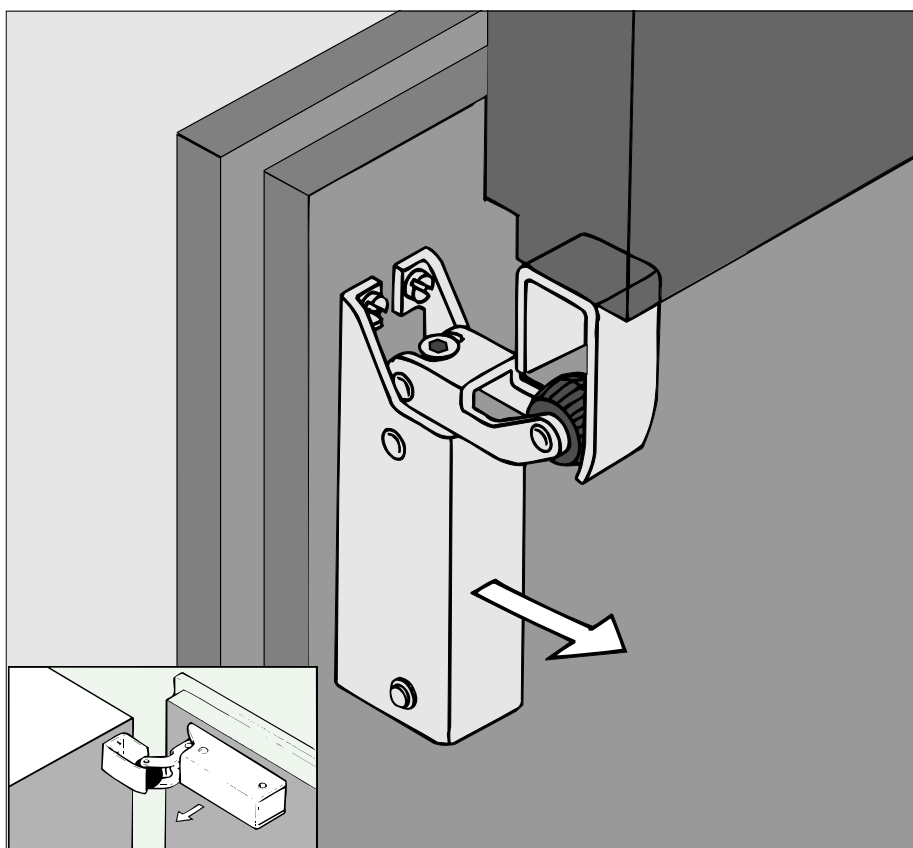
The hydraulic door closer R 1400 was developed especially for those cases where an unobtrusive mounting is required or if there is no room over the door to mount the hook.

In spite of its small size the door closer R 1400 is suitable for interior and lighter exterior doors. The chrome plated case, concealed cylinder and invisible fixing combine to give an attractive design.

A special hydraulic cylinder allows for both vertical and horizontal mounting to the door. The closing speed is fully adjustable.

The door closer R 1400 can be used on doors exposed to weather or humidity as it is also available in stainless steel.

DICTATOR Door Dampers R1400 are classified as Miscellaneous Fire Door Accessories and our production continuously monitored by Underwriters Laboratories, Inc. (File No. R20417).



Technical data

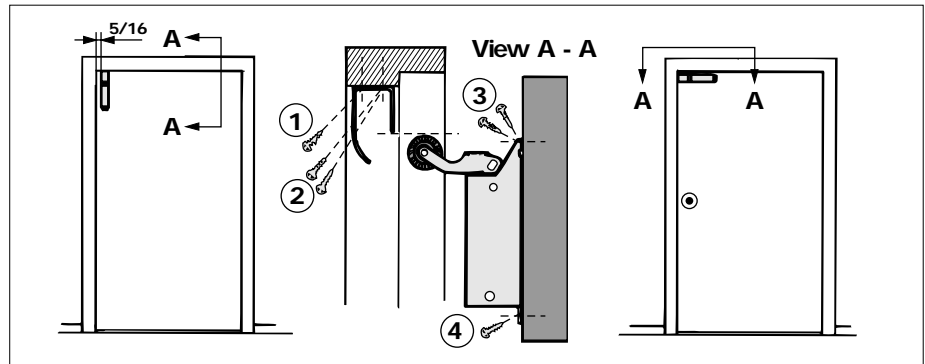
Door types	right- and left-hand, overlapping, flush, recessed
Closing force	5 to 18 lbs (measured on the door damper)
Damping characteristics	progressive, adjustable
Damping medium	temperature independant silicone oil
Mounting possibilities	horizontally or vertically
Components of delivery	door closer, hook, screws
Material	steel or stainless steel
Finish	chrome, other finishes available on demand



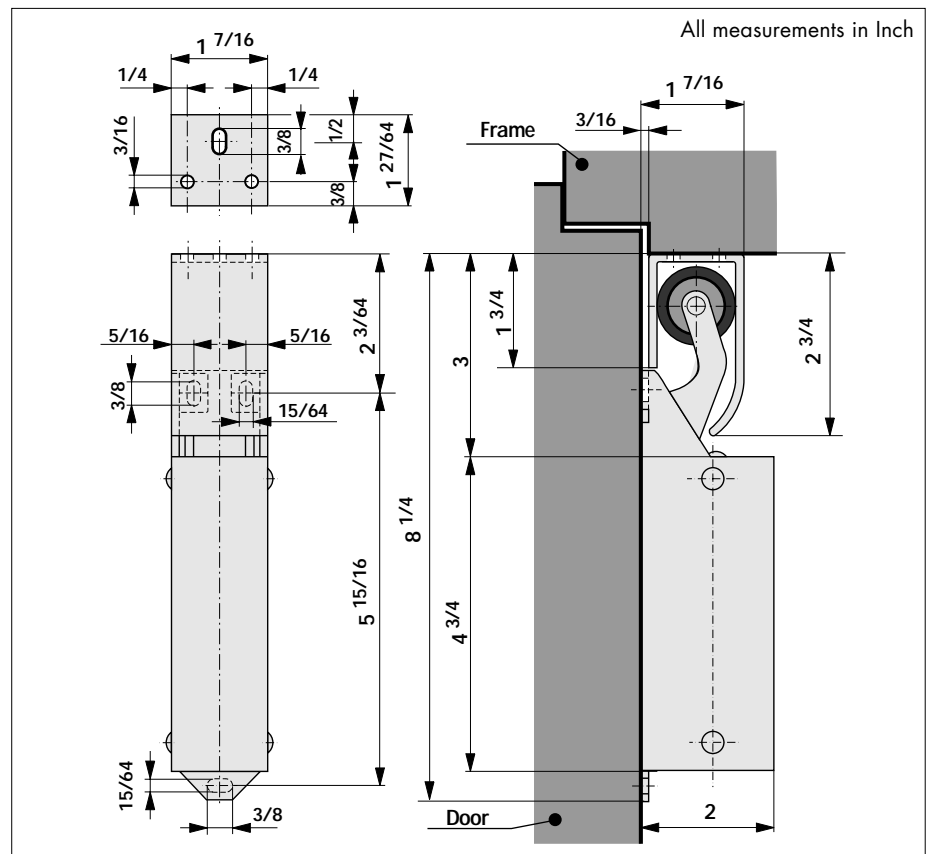
Mounting

Important: The door closer R1400 should always be mounted on the closing edge (about 5/16" from the edge), as the hook reaches into the passage. You can fix the door damper either horizontally or vertically.

First screw the hook to the frame and then the damper to the closing face of the door. The rubber roller of the pushed down lever should only just touch the front edge of the hook when closing.



Dimensions



Order information

DICTATOR door closer R 1400 (chrome)	normal force	part no. 300 387
DICTATOR door closer R 1400 (chrome)	strong force	part no. 300 475
DICTATOR door closer R 1400 (stainless steel)	normal force	part no. 300 470
DICTATOR door closer R 1400 (stainless steel)	strong force	part no. 300 476
DICTATOR door closer R 1400 other finishes or different force		please call