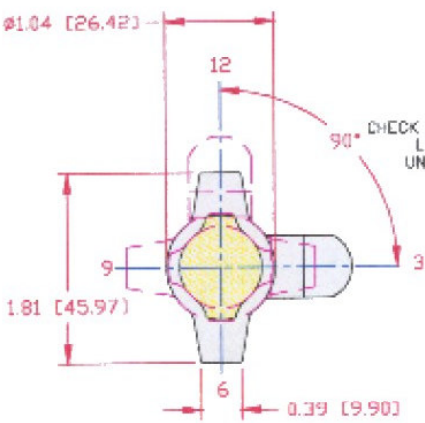
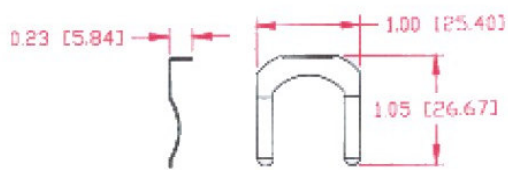
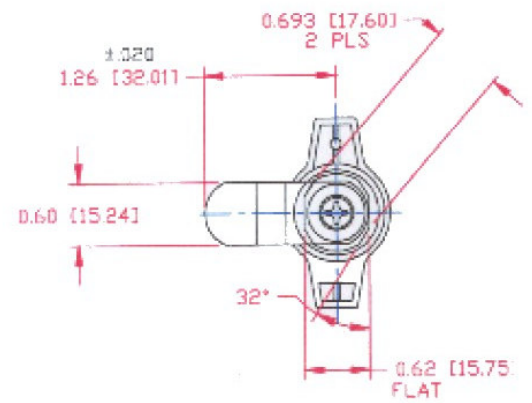
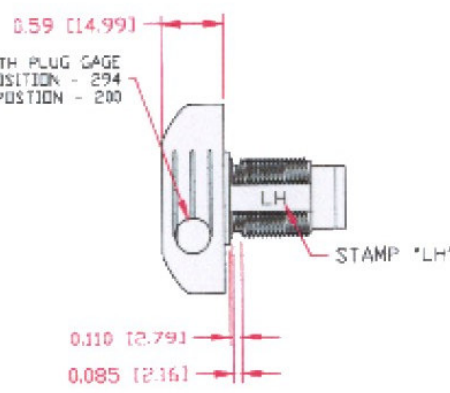
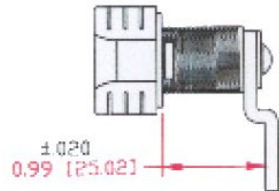


- NOTES:
 1) 90 DEGREE ROTATION FROM 3:00 TO 12:00.
 2) PACK 150 HASP LOCKS PER BOX.
 3) FORK CLIPS SHIPPED LOOSE.



CHECK HOLE WITH PLUG GAGE
 LOCKED POSITION - 294
 UNLOCKED POSITION - 200



Supplied by:
www.MrLock.com

		BB
		LOCK PRODUCTS, INC.
LH HASP LOCK OFFSET CAM		
OLD NUMBER	PART NUMBER	REV